

Model
WETS 2050.1403-1.28 SMOOTH
OPTIMA Plus® Systems Sensor Activated HET Flushometer and HET Wall Hung Water Closet

DESCRIPTION

Complete HET system with exposed, sensor activated, Royal® OPTIMA Plus® closet Flushometer and vitreous china wall hung fixture.

Flush Cycle

Model WETS 2050.1403-1.28 SMOOTH
(1.28 gpf/4.8 Lpf)
Code: 20501403



Meets the American Disabilities Guidelines and ANSI A117.1 requirements when installed according to these requirements.

NOTE:

- Plumbing System Requirements
- Minimum **Flowing** Pressure: 25 PSI
 - Maximum Fixture Static Pressure: 80 PSI
 - Minimum Flow Rate: 18 GPM

SPECIFICATIONS

Quiet, exposed, sensor activated diaphragm type, chrome plated closet Flushometer for either left or right hand supply and vitreous china wall hung water closet with the following features:

Flushometer

- PERMEX™ Synthetic Rubber Diaphragm with Dual Filtered Fixed Bypass
- High Back Pressure Vacuum Breaker Flush Connection with One-Piece Bottom Hex Coupling Nut, Spud Coupling and Flange for 1-1/2" Top Spud
- Sweat Solder Adapter with Cover Tube and Cast Wall Flange with Set Screw
- High Copper, Low Zinc Brass Castings for Dezincification Resistance
- Non-Hold-Open Handle, Fixed Metering Bypass and no external volume adjustment to ensure water conservation
- Flush Accuracy Controlled by CID™ Technology
- Diaphragm, Stop Seat and Vacuum Breaker to be molded from PERMEX™ Rubber Compound for Chloramine Resistance
- Valve Body, Cover, Tailpiece and Control Stop shall be in conformance with ASTM Alloy Classification for Semi-Red Brass. Valve shall be in compliance with the applicable sections of ASSE 1037. Installation conforms to ADA requirements.

OPTIMA® Plus SMOOTH™ Unit

- ADA compliant OPTIMA Plus® SMOOTH™ battery powered infrared sensor for automatic "Hands-free" operation
- Mechanical Manual Override Flush Handle
- Four (4) size C batteries included
- "Low Battery" and "User in View" flashing LED
- Vandal resistant 1/8" ball-type hex key included

Fixture

- Wall hung vitreous china elongated bowl
- Siphon jet flushing action
- 1-1/2" I.P.S. top spud inlet
- 2 1/8" fully glazed trapway diameter
- Integral flushing rim
- Water spot area 9 1/2" x 8 1/4"
- Mounting hardware, carrier and toilet seat not included
- Compatible with toilet seat models: Olsonite 10CT, Bemis 1955CT & Church Commercial 295CT
- Water closet shall be in compliance to the applicable sections of ASME A112.19.2/CSA B45.1

FEATURES

Automatic

Sloan OPTIMA Plus® equipped Flushometers provide the ultimate in sanitary protection and automatic operation. There are no handles to trip or buttons to push. The Flushometer operates by means of an infrared sensor that adapts to its surroundings. Once the user enters the sensor's effective range and then steps away, the Flushometer Solenoid initiates the flushing cycle to flush the fixture.

Hygienic

User makes no physical contact with the Flushometer surface. Helps control the spread of infectious diseases. 24-hour Sentinel Flush keeps fixture fresh during periods of nonuse.

Economical

Automatic operation provides water usage savings over other flushing devices. Reduces maintenance and operation costs.

Practical

Solid state electronic circuitry assures years of dependable, trouble-free operation. The operational components of the Flushometer are identical to a handle activated Royal® Flushometer, proven by more than 100 years of experience.

Warranty

3 year (limited)



This space for Architect/Engineer approval	
Job Name	Date
Model Specified	Quantity
Variations Specified	
Customer/Wholesaler	
Contractor	
Architect	

SLOAN

Sloan Valve Company
10500 Seymour Avenue
Franklin Park, IL 60131
Phone: 1-800-9-VALVE-9 (982-5839)
or 1-847-671-4300
Fax: 1-800-447-8329 or 1-847-671-4380
www.sloanvalve.com

Copyright © 2013 Sloan Valve Company
WETS-2050.1403 09-13

Model
WETS 2050.1403-1.28 SMOOTH
OPTIMA Plus® Systems Sensor Activated HET Flushometer and HET Wall Hung Water Closet

DESCRIPTION

Complete HET system with exposed, sensor activated, Royal® OPTIMA Plus® closet Flushometer and vitreous china wall hung water fixture

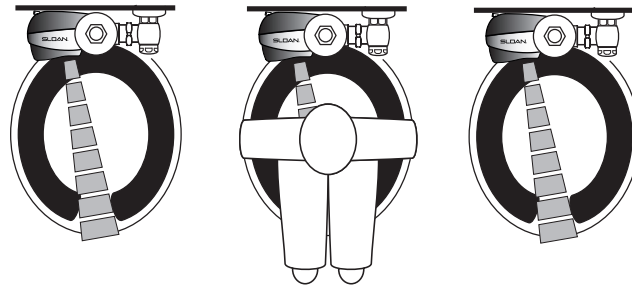
Flush Cycle

Model WETS 2050.1403-1.28 SMOOTH
(1.28 gpf/4.8 Lpf)

ELECTRICAL SPECIFICATIONS

- **Control Circuit**
6 VDC input, 8 second arming delay, 72 hour Sentinel Flush
- **OPTIMA Plus® Sensor Range**
Normal Range (recommended for Water Closets) with 2 – 3 second flush delay:
26" – 32" (660 mm – 813 mm)
Normal Range (recommended for Water Closets) with 1 – 2 second flush delay:
26" – 32" (660 mm – 813 mm)
- **OPTIMA Plus® Sensor Type**
Active infrared with automatic adjustment
- **Battery Type**
(4) Size C Alkaline
- **Battery Life**
2 Years @ 4,000 flushes/month
- **Indicator Lights**
User in view/low battery
- **Valve Operating Pressure (Flowing)**
25 – 80 psi (172-552 kPa)

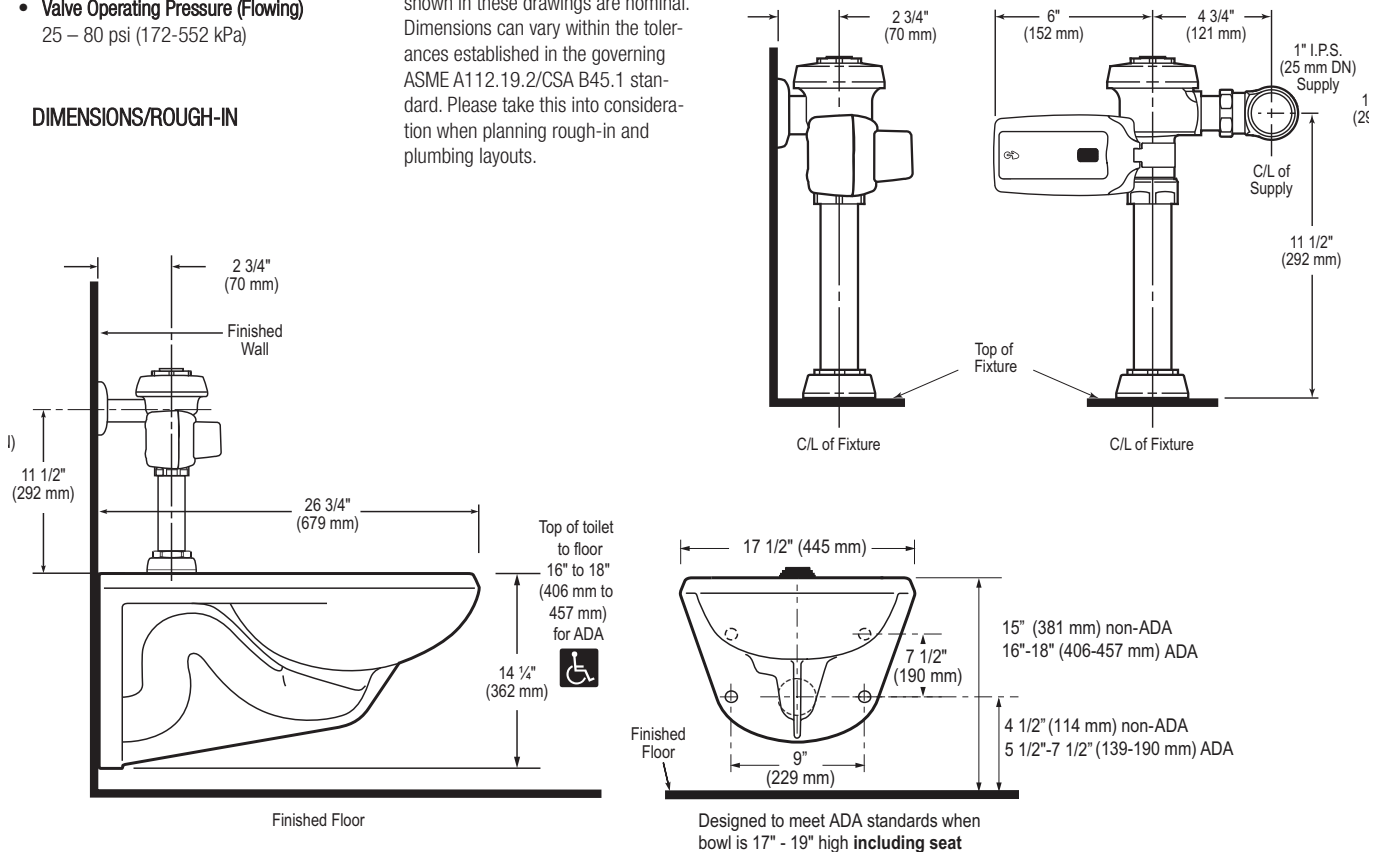
OPERATION



1. A continuous, invisible light beam is emitted from the OPTIMA plus® Sensor.
2. As the user enters the beam's effective range the beam is reflected into the OPTIMA Plus® Scanner Window and transformed into a low voltage electrical circuit. Once activated, the Output Circuit continues in a "hold" mode for as long as the user remains within the effective range of the sensor.
3. When the user steps away from the OPTIMA Plus® Sensor, the circuit immediately initiates an electrical "one-time" signal that operates the Solenoid. This initiates the flushing cycle to flush the fixture. The Circuit then automatically re-sets and is ready for the next user.

NOTE: All vitreous china dimensions shown in these drawings are nominal. Dimensions can vary within the tolerances established in the governing ASME A112.19.2/CSA B45.1 standard. Please take this into consideration when planning rough-in and plumbing layouts.

DIMENSIONS/ROUGH-IN



SLOAN VALVE COMPANY • 10500 SEYMOUR AVENUE • FRANKLIN PARK, IL 60131

Phone: 1-800-9-VALVE-9 or 1-847-671-4300 • Fax: 1-800-447-8329 or 1-847-671-4380 • www.sloanvalve.com