

EBV-550-A

Dual-Flush Side Mount

Description

Battery-Powered, Sensor-Activated, Dual-Flush Retrofit Conversion Kit for Exposed Closet Flushometers.

Model

- EBV-550-A** Dual-Flush Side Mount Unit
Code No. 3325501

Specifications

Quiet, Exposed, Optima Plus®, Battery Powered, Sensor-Activated, Dual-Flush (sold separately) Retrofit Conversion Kits for Exposed Closet Sloan flushometers with the following features:

- ADA Compliant Optima Plus® Battery Powered Infrared Side Mount Sensor for automatic “No Hands” operation
- Chrome Plated Infrared Sensor Housing
- Non-Hold-Open True Mechanical Override Full Flush Button
- If the user is present for less than one minute and leaves the sensing zone or chooses the small GREEN override button, a reduced flush initiates (1.1 gpf/4.2 Lpf) eliminating liquid and paper waste, saving 1/2 gallon of water†
- If the user is present for greater than one minute and leaves the zone or chooses the large BLACK override button, the full flush initiates (1.6 gpf/6.0 Lpf) eliminating solid waste and paper
- Reduces water volume by up to 30% when a reduced flush occurs†
- Initial Set-up Range Indicator Light (first 10 minutes)
- User friendly three (3) second Flush Delay
- Four (4) Size C alkaline Batteries included: Duracell® with DURALOCK Power Preserve Technology™-guaranteed for up to 10 years in storage
- “Low Battery” Flashing LED
- “User in View” Flashing LED
- Can be installed when handle is on left side or right side of valve
- Installation Tools provided
- No External Volume Adjustment to Ensure Water Conservation

The Side Mount units can be used on standard rough-in Sloan, Royal, Regal and Zurn flushometers.

Fixtures

Consult Sloan for Sloan brand matching fixture options.

† 30% water savings assumes retrofit to an existing 1.6 gpf closet flushometer. Water savings when used with other flush volumes may vary.



Side Mount units do NOT include the flushometer

Smart Sense Technology™

Sloan® DFSM flushometers are equipped with Smart Sense Technology™, which applies extended range and logic techniques to significantly reduce water usage. The DFSM flushometer automatically delivers a reduced flush when users are present less than 60 seconds. Please contact Sloan for specific details.

Automatic Operation

Sloan’s DFSM flushometers are activated via multi-lobular infrared sensor. By detecting user presence and duration, the DFSM unit will determine the proper flush volume for unequalled water efficiency.

Manual Operation

Sloan’s electronic Dual-Flush Side Mount (DFSM) flushometers incorporate intuitive split-button design for easy manual activation. Assuming a 1.6 gpf diaphragm kit, the small GREEN button controls the reduced flush cycle (1.1 gpf/4.2 Lpf), the large BLACK button controls the full flush cycle (1.6 gpf/6.0 Lpf). Straightforward graphics alert user to proper activation. Reduced flush for liquid waste, full flush for solid waste.

Service Mode

Features service mode which ignores targets for 10 minutes to enable fixture to be cleaned or serviced

Hygienic

Touchless, sensor activation eliminates the need for user contact to help control the spread of infectious diseases. The Sloan DFSM Electronic Retrofit Units are provided with Reduced or Full Flush Override Buttons to allow a “courtesy flush” for individual user comfort. The 72-Hour Sentinel Flush keeps fixture fresh during periods of nonuse.

Warranty

3 year (limited)



This space for Architect/Engineer approval	
Job Name _____	Date _____
Model Specified _____	Quantity _____
Variations Specified _____	
Customer/Wholesaler _____	
Contractor _____	
Architect _____	

The information contained in this document is subject to change without notice.

EBV-550-A

Dual-Flush Side Mount

Description

Battery-Powered, Sensor-Activated, Dual-Flush Retrofit Conversion Kit for Exposed Closet Flushometers.

Model

□ **EBV-550-A** Dual-Flush Side Mount Unit
Code No. 3325501

ELECTRICAL SPECIFICATIONS

Control Circuit

Solid State
6 VDC Input
72 Hour Sentinel Flush
Closet Range: 2-3 Second
Arming Delay

DFSM Sensor Type

Infrared Convergence Type Object
Lock Detection

DFSM Sensor Range

Factory Set at
22" - 42" (559 mm-1067 mm)

Battery Type

(4) Size C Alkaline: Duracell® with
DURALOCK Power Preserve Technology™

Battery Life

3 years @3000 Flushes/Month

Indicator Lights

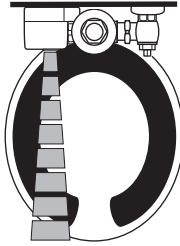
User in View/Low Battery

Valve Operating Pressure (Flowing)

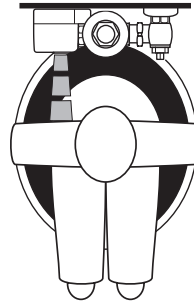
25-80 psi (172-552 kPa)

OPERATION

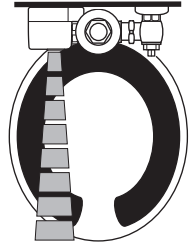
1. A continuous, invisible light beam is emitted from the object lock infrared sensor.



2. As the user enters the beam's effective range, 22" - 42" (559 mm to 1067 mm), the beam is reflected into the scanner window to activate the output circuit. Once activated, the output circuit continues in a "hold" mode for as long as the user remains within the effective range of the sensor. If the user stays less than 60 seconds, a reduced flush will automatically initiate when the user leaves.



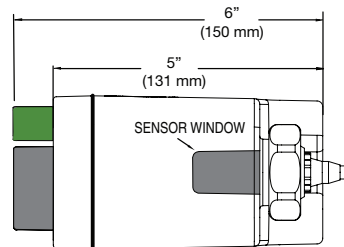
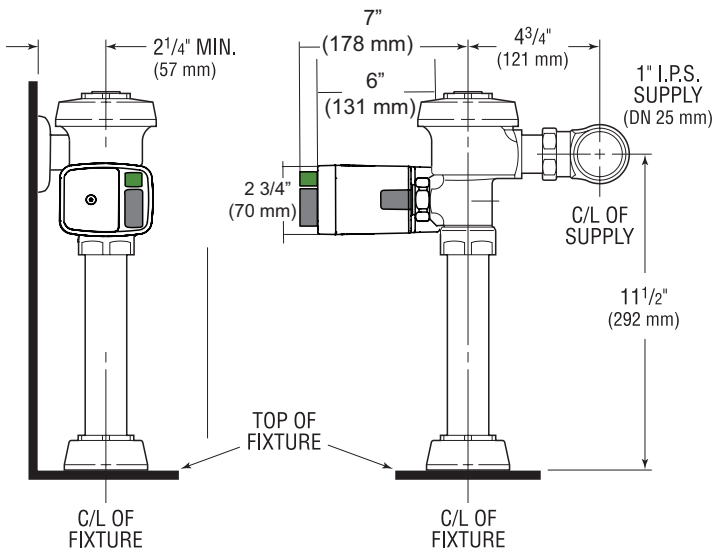
3. When the user steps away from the infrared sensor, the circuit initiates the flushing cycle to flush the fixture. The circuit then automatically resets and is ready for the next user.



If the user stays longer than 60 seconds, a full flush will automatically initiate when the user leaves.

ROUGH-IN

EBV-550-A Dual-Flush Side Mount unit shown on an existing Royal Model 110/111 Closet Flushometer



SLOAN • 10500 SEYMOUR AVENUE • FRANKLIN PARK, IL 60131

Phone: 1-800-9-VALVE-9 or 1-847-671-4300 • Fax: 1-800-447-8329 or 1-847-671-4380 • www.sloanvalve.com

SIDE MOUNT COMPONENTS

