

► **Description**

Open Front Basin Two Station Lavatory System can be equipped with Sloan® sensoractivated electronics. Constructed of durable corian designer stone, both materials are available with our 20% or more post consumer recycled content.

► **Specifications**

The 60" Wall Mounted Console Unit includes:

- Dimensions: 60" x 22" x 5"
- A monolithic console, fabricated from corian or natural stone
- A high polished grid strainer provided
- Wall mounted console is ADA compliant, if installed properly

Sloan Electronic Faucets features:

- Sloan Sensor Technology for reliable performance
- Hardwire or Battery powered
- Infrared or Capacitance
- Troubleshooting LED Indicator Lights
- Filtered Solenoid with serviceable Strainer Filter

Faucet features may vary. See faucet specification sheets for details

► **Variations**

- ESD - Electronic Soap Dispenser
- DS - Designer Stone (Quartz)
- FM - Frame
- AB - Angle Brackets
- ENC - Enclosure

► **Colors**

- For a complete list of Corian colors see:
<http://www.dupont.com/products-and-services/construction-materials/surface-design-materials/brands/corian-solid-surfaces/products/corian-all-colors.html>
- For a complete list of Silestone quartz colors
<http://www.silestoneusa.com/colors/>
- For a complete list of Zodiac quartz colors:
<http://www.dupont.com/products-and-services/construction-materials/surface-design-materials/brands/zodiaq-quartz-surfaces/products/zodiaq-all-colors.html>

► **NOTE**

DSOF dimensions can be customized per designer request. See your Sloan representative for details.

► **Code Number**

15121672



► **The Open Front Double Station Lavatory System**

The Open Front Basin design is an ergonomic hand washing basin, bringing higher efficiencies to the entire hand washing process in a more natural way. The Open Front may be configured to designers specifications. Waste assembly is not provided. Choose from one of the many Sloan sensor faucets for the perfect match.

► **Compliance & Certifications**



This space for Architect/Engineer Approval

Operation

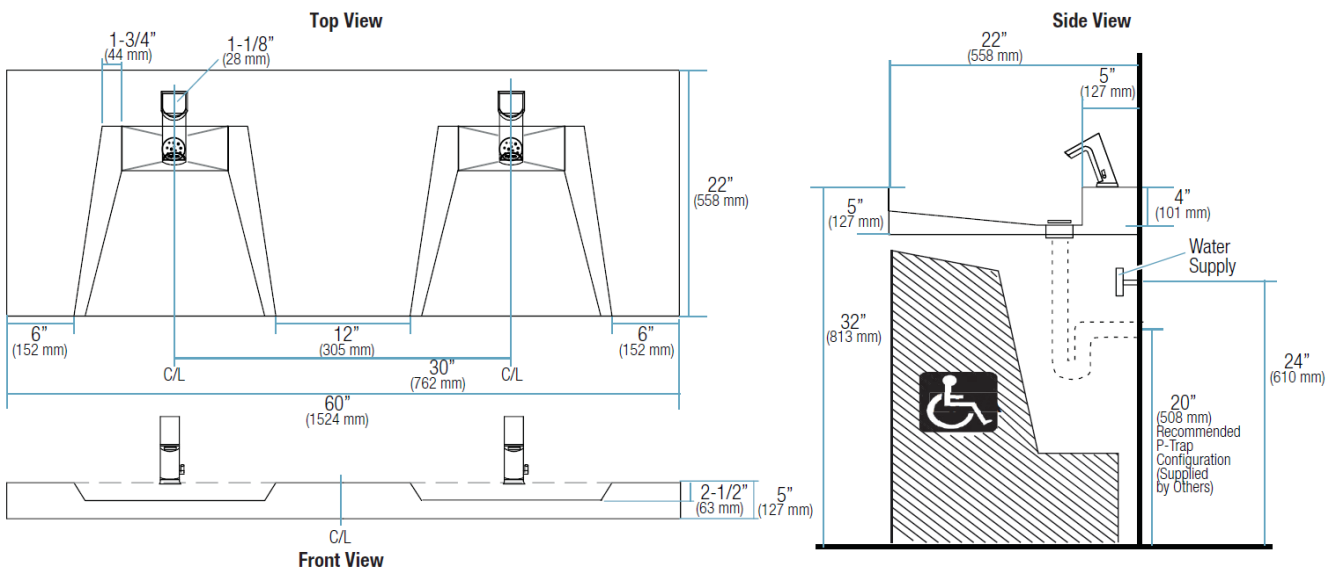
As the user's hands enter the beam's effective range, the beam is reflected back into the sensor receiver and activates the solenoid valve allowing water to flow from the spout. Water will flow until user's hands are removed or until the time out limit is reached.



Faucet Options



ROUGH-IN



For additional technical information, contact the Sloan Technical Support at 1-888-SLOAN-14 (1-888-756-2614) or techsupport@sloanvalve.com