

► **Description**

Counter Top Basin Three Station Lavatory System can be equipped with Sloan® OPTIMA® Sensor-Activated Electronics. Constructed of durable Corian or natural stone. Both materials are available with our 20% or more post consumer recycled content.

► **Code Number**

15123083

► **Specifications**

- The 90" Wall Mounted Console Unit includes:
- Dimensions: 90" x 22" x 4"
- A Monolithic Console, fabricated from Corian material
- A high polished grid strainer provided
- Wall Mounted Console is ADA compliant if installed properly
- Sloan Optima® Faucets feature:
- Sloan Optima® Sensor Technology for reliable performance.
- Hardwire or Battery powered
- Infrared or Capacitance
- Troubleshooting LED Indicator Lights
- Filtered Solenoid with serviceable Strainer Filter
- Faucet features may vary. See Optima® faucet specification sheets for details

► **Variations**

- ESD - Electronic Soap Dispenser
- DS - Designer Stone (Quartz)
- FM - Frame
- AB - Angle Brackets
- ENC - Enclosure

► **NOTE**

DSCT dimensions can be customized per designer request. See your Sloan representative for details.



► **The Counter Top Triple Station Lavatory System**

The Counter Top Basin design is an ergonomic hand washing basin, bringing higher efficiencies to the entire hand washing process in a more natural way. The Counter Top may be configured to designers specifications. Waste assembly is not provided. Choose from one of the many Sloan Optima® faucets for the perfect match.

► **Compliance & Certifications**



This space for Architect/Engineer Approval

► Faucet Options



Not All Faucet Models Shown



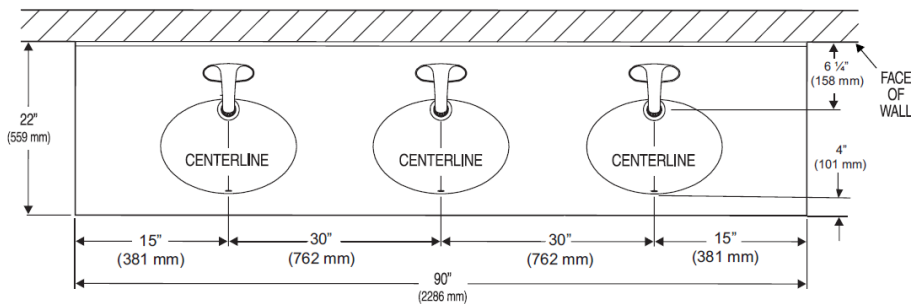
► OPERATION

As the user's hands enter the beam's effective range, the beam is reflected back into the sensor receiver and activates the solenoid valve allowing water to flow from the spout. Water will flow until user's hands are removed or until the time out limit is reached.

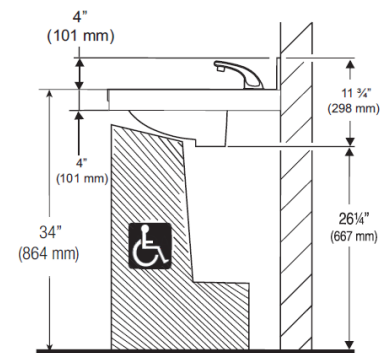


► ROUGH-IN

TOP VIEW



SIDE VIEW



For additional technical information, contact the Sloan Installation Engineering Department at 1-888-SLOAN-14 (1-888-756-2614) or techsupport@sloanvalve.com