

CODE NUMBER

3873804

DESCRIPTION

Vitreous China Wall-Mounted Wheelchair Lavatory.

DETAILS

- Centerset: 8"
- Nominal Dimensions: 27" x 20" x 7" (686 x 508 x 178mm)

FEATURES

- Wall mounted, ledgeback
- Rear overflow
- 8" (204mm) centerset
- Carrier not included
- 20" x 27" (508 mm x 686 mm)

DOWNLOADS

- [Sloan SS-3804 Installation Instructions](#)
- [SS/ST/SU/WETS/WEUS Fixtures Repair and Maintenance Guide](#)
- [Additional Downloads](#)

ROUGH-IN



COMPLIANCES & CERTIFICATIONS

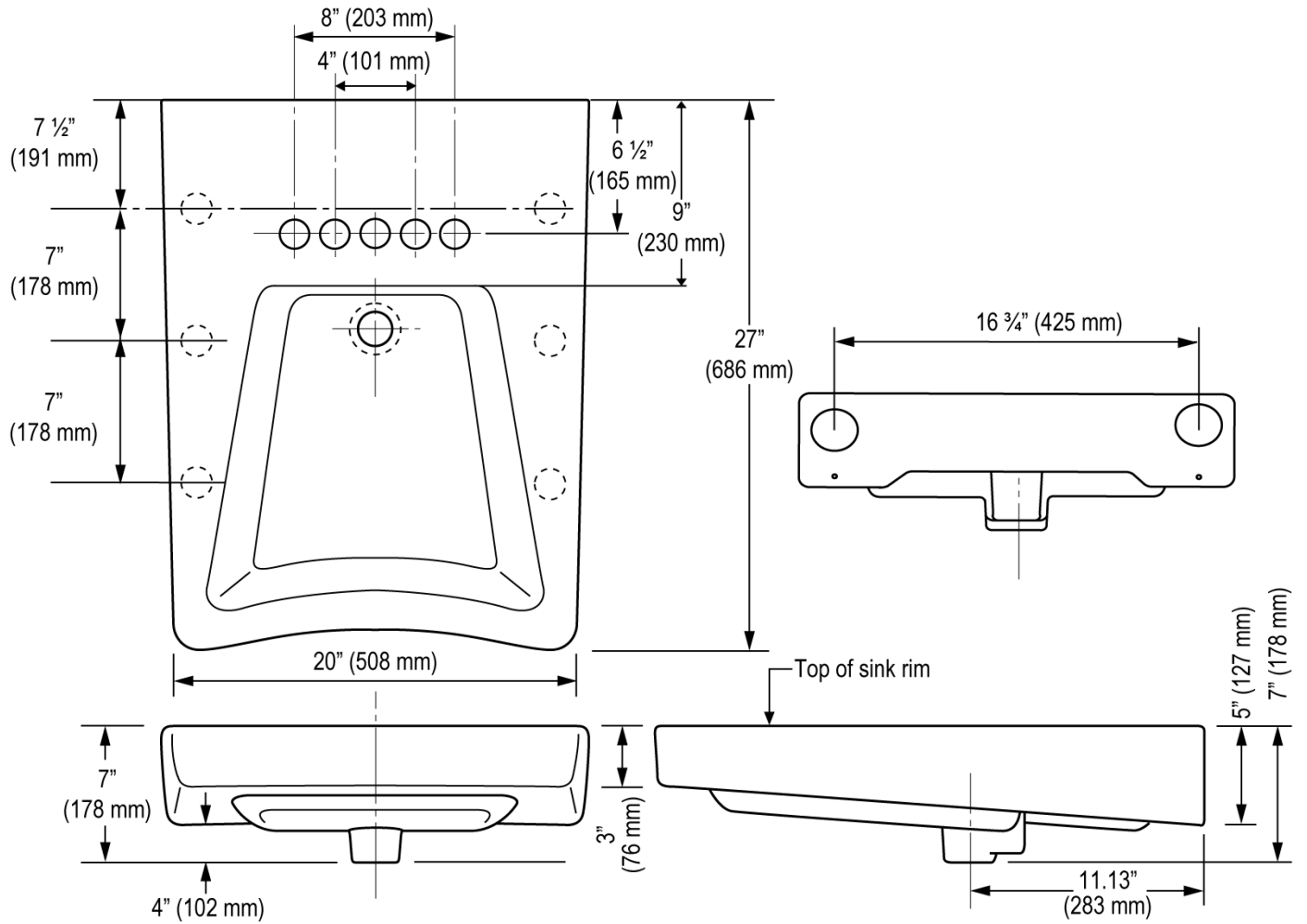


(BREEAM Materials Credit, EPD, HPD, LEED Materials & Resources EPD Credit, LEED Materials & Resources HPD Credit, Satisfies LEED Credits)

NOTES

All information contained within this document subject to change without notice.

All vitreous china dimensions shown in these drawings are nominal and not to scale. Dimensions can vary within the tolerances established in the governing ASME A112.19.2/CSA B45.1 standard. It is important to consider this when planning rough-in and plumbing layouts.



Sloan 10500 Seymour Ave, Franklin Park, IL 60131

Phone: 800.982.5839 • Fax: 800.447.8329 • sloan.com