

CODE NUMBER

33820050

DESCRIPTION

Filtered, Unrefrigerated, 304 Stainless Steel, DropSpot™ On-wall Bottle Filler.

DETAILS

- Mounting: On-wall
- Configuration: Bottle Filler
- Filter Option: Filtered (FIL)
- Refrigeration Option: Unrefrigerated (UNREF)
- Finish: 304 Stainless Steel (SS)
- Full Load Amps: 1.0
- Length: 7 9/10" (201mm)
- Width: 19" (483mm)
- Height: 27 4/5" (706mm)
- Weight: 33 lbs
- Installation Location: Indoor
- Bottle Filler Water Flow Rate: Up to 1.2 gpm

POWER

- (Standard) 115VAC, 60Hz, 1A
- Provide Duplex Receptacle on GFCI Protected Circuit

FEATURES
Bottle Filler

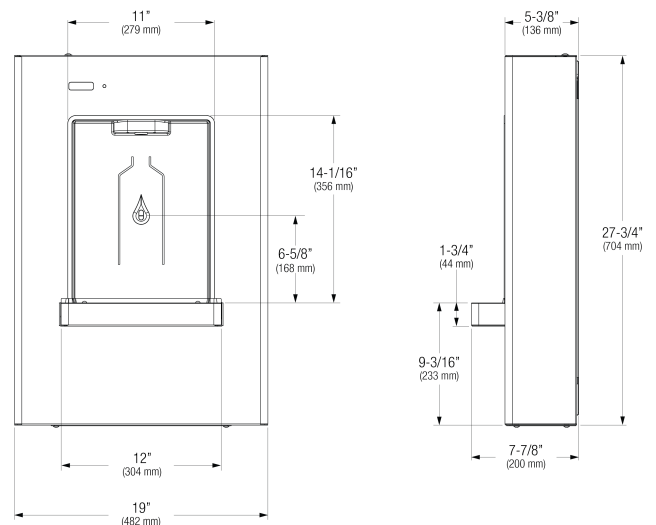
- Touch-free sensor operated bottle filler with 20 second max run time
- ADA compliant when installed properly
- Up to 1.2 gpm fill rate for quick fill
- Swing-open cabinet provides easy access to filter
- Laminar flow water supply
- Soft ambient white light to indicate filter status
- Backlit LED light that illuminates bottle filling area when sensor is activated
- Bottle Counter Display indicates the number of 16 oz plastic bottles saved from a land fill as well as the ounces of water dispensed for water consumption tracking
- Rough-in matches other manufacturers' for easy replacement

Filter

- 3000 gallon
- Effectively reduces PFOA, PFOS, lead, microplastic, cyst, particulate class 1, chlorine, and odor
- Certified to comply with NSF-42, NSF-53, and NSF-401 standards
- Prop 65 compliant

NOTES

All information contained within this document subject to change without notice.


COMPLIANCES & CERTIFICATIONS


(ADA Compliant, cUPC Certified, cULus Certified, cUPC Low Lead Compliant, TAS)

ADDITIONAL COMPLIANCES

Listed to UL 399/CSA C22.2 No.120/IAPMO has listed this product to ASME A 112.18.1 / CSA B45.4, IGC 226, IGC 115, NSF-372 and NSF-61/Meets emissions requirement for the FCC/Meets Canada OBC, QBC, and other accessibility requirements/Filter listed to NSF-42, NSF-53, NSF-401

RECOMMENDED SPECIFICATION

Sloan's DropSpot™ On-wall Bottle Filler Filtered Unrefrigerated Stainless. Bottle filler shall include sensor operated activation with a 20 second maximum run time. Bottle counter display indicates the number of 16 oz plastic bottles saved as well as the ounces of water dispensed for water consumption tracking. White light indicates the water filter status. Unit shall include LED lights that illuminate the bottle filling area. Bottle filler housing construction shall be stainless steel with satin finish. Bottle filler shall provide up to 1.2 gpm flow rate with a laminar

Sloan 10500 Seymour Ave, Franklin Park, IL 60131

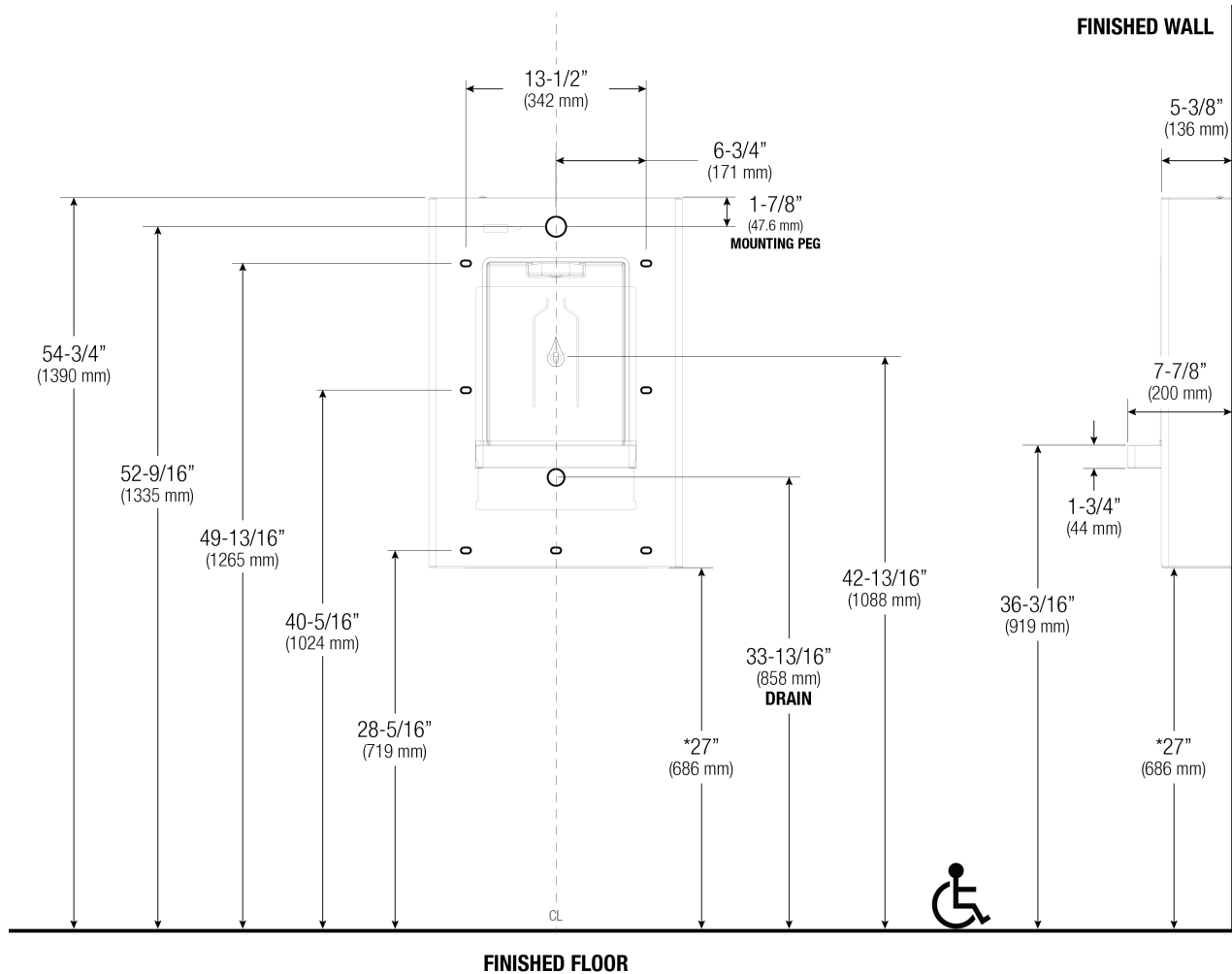
 Phone: 800.982.5839 • Fax: 800.447.8329 • sloan.com

flow. Cabinet door shall have swing-open mechanism, providing easy access for filter replacement. Filter used in the unit shall have capacity of 3000 gallons at a minimum, and shall reduce PFOA, PFOS, lead, microplastic, cyst, chlorine and class 1 particles.

DOWNLOADS

- [Additional Downloads](#)

ROUGH-IN



Sloan 10500 Seymour Ave, Franklin Park, IL 60131

Phone: 800.982.5839 • Fax: 800.447.8329 • sloan.com