



LD-5010 OmniDeck™ with WashBar®– 5000 Series

- Basin(s) and Deck are constructed of Terreon® or Terreon®RE Solid Surface Material
- Decks are Pre-fabricated; Shipped Complete to the Job Site
- Custom and Standard Sizes Available
- Optional Coved Backsplash and Integral Front Apron Eliminate Caulk Lines
- Integral bowl option creates seamless look
- One piece plated stainless steel WashBar™ includes touch-free soap, water and dryer
- WashBar technology intuitively guides user and eliminates simultaneous activations
- Basin and drain engineered to evacuate water and dissipate air flow

Specifications

The OmniDeck Model LD-5010 can accommodate one or more users. Model LD-5010 OmniDeck with WashBar features a Terreon solid surface deck with undermount basin. The OmniDeck with WashBar comes equipped with single piece All in One WashBar, allowing users to access soap, water and a hand dryer without leaving the hand washing station. Optional aprons, splashes, mounting brackets and single-station access panels are also available to round out the total package.

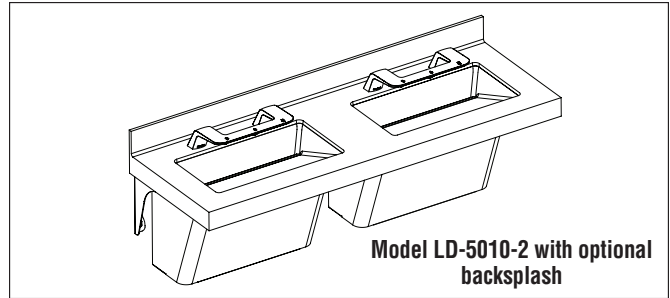
Construction

Deck

Constructed of ½" thick Terreon, a densified solid surface material composed of bio-based resin or TerreonRE, a densified solid surface material composed of a bio-based resin and preconsumer recycled granules. Terreon and TerreonRE are resistant to chemicals, stains, burns and impact. Surface damage can be easily repaired with everyday cleansers or fine grit abrasives. Terreon and TerreonRE are certified by Home Innovation Lab to meet CSA B45.5/IAPMO Z124. Terreon and TerreonRE are GREENGUARD® certified as low-emitting materials.

Basin

The basin model WB-TR1 has been designed to direct water to a trench drain and features a 300 series stainless steel drain cap. The basin and drain cap work together to evacuate water and dissipate airflow to prevent splashing on the user or floor. The basin is constructed of Terreon solid surface and is available in all Terreon colors. Internal basin dimensions are 11-1/2" x 21-5/8" x 8-1/8".



WashBar

All-in-One chrome-plated stainless steel WashBar includes touch-free soap, water and hand dryer. Load tested to 500 pounds, the WashBar is secured to the basin with two anti-rotational shanks. Blue LED lights help guide the user to the WashBar, indicating the three functions. The LED light will change from blue to green to signify that the function is in use. Each function is easily identified by the corresponding icon on the WashBar's top surface. To aid in a smooth, controlled hand-washing and drying operation, sensors are programmed to eliminate simultaneous activations of nearby functions. WashBar sensors are not affected by varying skin tones or darkness. Smart technology allows the facility manager or maintenance staff to clean and configure with ease.

Cleaning Mode

WashBar has an activation feature to put the unit into cleaning mode to allow for easy cleaning of the WashBar and basin without activating the functions.

Configuration Mode

WashBar also has a configuration mode to identify how many cycles are on the soap, faucet and dryer. Mode also allows for dryer speed and sound adjustment at low, medium and high levels.

Soap Dispenser

The soap dispenser is located on the left side of the WashBar. This eliminates any soap from dripping on counters or onto the floor, minimizing slip hazards and allows for easy cleaning. Choose between a foam or a liquid soap dispenser, which are compatible with most bulk soaps. Soap system accommodates up to a 1 gallon container to reduce the number of soap replacements. When the LED light above the soap function turns to a solid red, simply check the level and replace the soap container with a full container if necessary. The soap system includes an adapter to fit many 1 gallon soap containers available on the market.

Please visit <https://www.bradleycorp.com/maintenance/soap-dispensers> for soap recommendations.

Faucet

Faucet is located in the center of the WashBar and has a spray angle of approximately 17 degrees off the vertical. Choose either a 0.5 gpm or 0.35 gpm PCA rubber tip aerator. Maximum run time is 30 seconds. The 0.5 gpm aerator option is the equivalent to 0.25 gpc and the 0.35 gpm aerator option is the equivalent to 0.18 gpc. Automatic 5 second purge within 24 hours of the last use. Recommended operating range is 20-80 psi.

Verify all rough-in dimensions prior to installation.
Consult local and national codes. Conformity and compliance to local and national codes is the responsibility of the installer.



Dryer

The hand dryer is located on the right side of the WashBar, allowing users to dry their hands immediately after washing. This virtually eliminates excess water on the floor. The dryer motor provides warm air at three speeds, high-medium-low, which can be field adjusted by placing the WashBar into configuration mode. The single sided dryer will dry hands in approximately 15 seconds depending on user preference. The decibel range with hands in air stream is 76 dB (high speed) to 64 dB (low speed). The dryer motor located behind the access panel, is cCSAus listed.

Electrical

The WashBar is powered by one 12V DC adapter that plugs directly into the dryer or electrical outlet. The Washbar and dryer motor require a properly grounded dedicated 20 amp circuit, 110V outlet. One duplex outlet is required per station to power the WashBar and dryer.

Strainer and Drain Assembly System

Strainer and drain assembly system comes complete with 300 series stainless steel trench drain cap and tailpiece. Optional chrome plated p-trap available. Configured with individual drain tough-in connections.

Access Panel

Minimalistic panel is composed of 300 series stainless steel. Plumbing components, dryer motor, and soap tank are concealed within the panel. The swing down access panel is designed to ease the maintenance process by eliminating tools and only requires one person for installation. Alternatively, customers can provide their own access panel.

Mounting Options

Designed to be mounted utilizing 12 gauge stainless steel mounting brackets (to allow for easy install and future removal of deck). A mounting frame or cleating by others can also be used in the field. Bracket quantity is dependent on deck length. 2" to 45" = 2 brackets, 45.25" to 75" = 3 brackets, 75.25" to 105" = 4 brackets and 105.25" to 120" = 5 brackets

Seaming

Seaming is required for OmniDecks with a total length over 120". Seaming is the process of joining two or more solid surface components together with an inconspicuous seam. Optional adhesive seam kits, available from Bradley, are made to match any Terreon color.

Code Compliance and Certifications

 This plumbing fixture is designed for hand washing only. It is not intended to dispense water for human consumption through drinking or for preparation of food or beverages.

Standards

Terreon and TerreonRE are Home Innovation Lab Certified to meet CSA B45.5/IAPMO Z124.

National and International Plumbing Approval

OmniDecks are Uniform Plumbing Code (UPC), International Plumbing Code (IPC) and National Plumbing Code of Canada (NPC) approved through the International Association of Plumbing and Mechanical Officials (IAPMO). Manufactured in compliance with IGC 156, CSA B45 Series & ASME A112.18.1/CSA B125.1.

Standard ADA Height Mounting

To comply with ADA, the rim height of the LD-5010 OmniDeck, and at least one basin, must be 34" (864) maximum above the finished floor and must have proper reach, knee and toe clearances. Always review local codes for compliance.

Juvenile Height Mounting

The juvenile height hand washing stations are designed to be mounted at 31" (787) maximum rim height to comply with ADA/TAS reaches and clearances.

Enhanced Reach Mounting

Per 2009 International Building Code (IBC) under 1109.2.3, if there are 6 or more lavatories, at least one lavatory shall meet the 11" (279) maximum reach depth per IC A117.1 606.5. The LD-5010 with WashBar is compliant when the deck depth is 20-1/2" (521) maximum.

OBC Height Mounting

The Ontario Building Code hand washing stations are designed to be mounted at a 33-1/16" (840) maximum rim height to comply with OBC reaches and clearances. To meet OBC, minimum deck depth must be 20-3/4" (527).

CSA Height Mounting


To comply with CSA, hand washing stations must be mounted at a 33-7/8" (860) rim height with a deck depth of 21" (533).

BCBC Height Mounting

The British Columbia Building Code hand washing stations are designed to be mounted at a 34-1/16" (865) maximum rim height. To comply, the deck depth must be a minimum of 22-1/4" (565).

QBC Height Mounting

The Quebec Building Code hand washing stations are designed to be mounted at a 34-1/16" (865) rim height and deck depth of 23-1/2" (597).

 Standard product selections contained within this document are third party **CERTIFIED** to NSF/ANSI 372 meeting the Lead-Free content requirement. Any product configured with custom options will be **COMPLIANT** with NSF/ANSI 372 meeting the Lead-Free content requirement.



Verify all rough-in dimensions prior to installation. Consult local and national codes. Conformity and compliance to local and national codes is the responsibility of the installer.

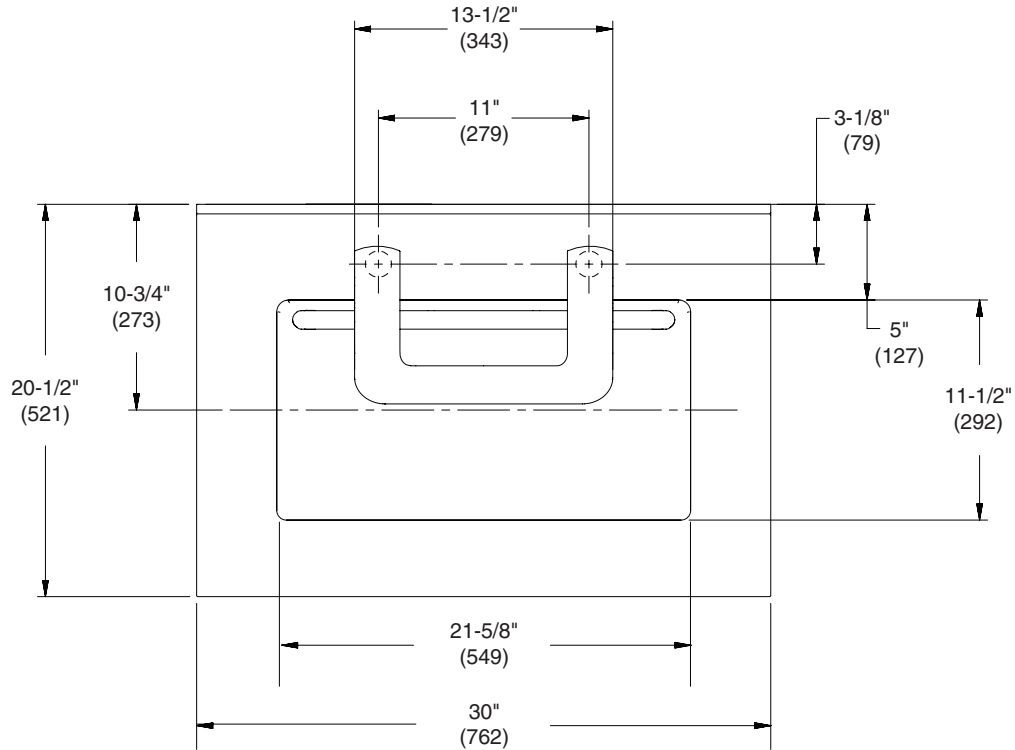


LD-5010 OmniDeck™ with WashBar® – 5000 Series

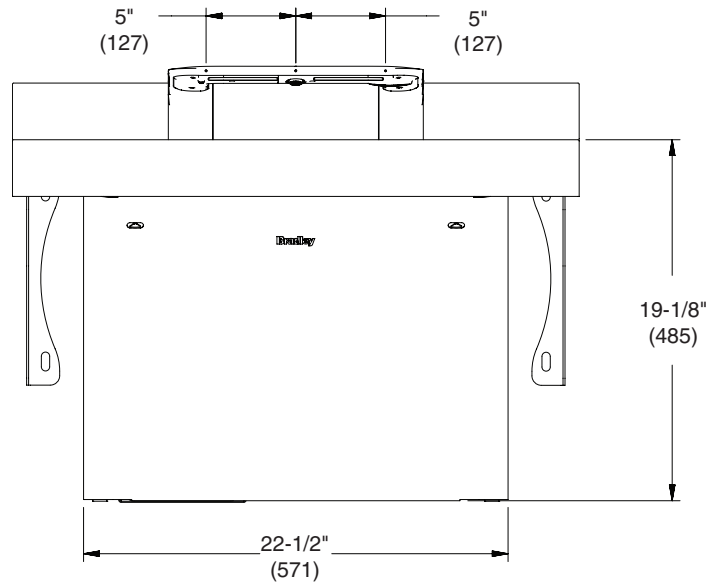
Standard Dimensions - 1-Person

(mm)

Top View



Front View



Verify all rough-in dimensions prior to installation.
Consult local and national codes. Conformity and compliance to
local and national codes is the responsibility of the installer.



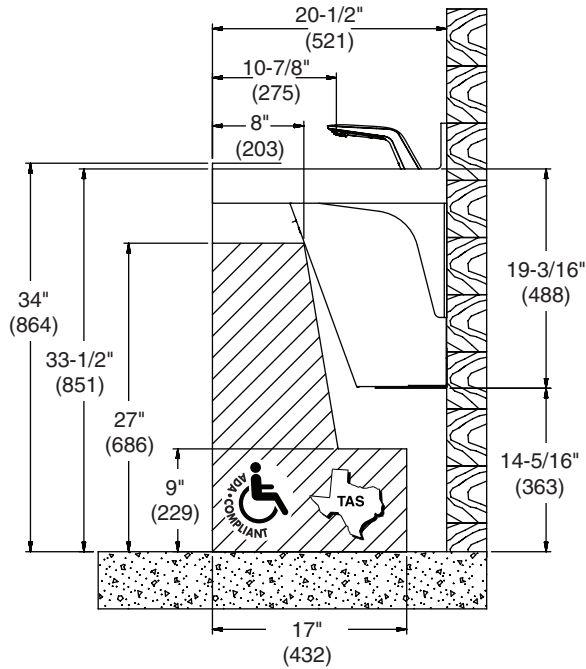
LD-5010 OmniDeck™ with WashBar®– 5000 Series

LD-5010 Dimensions (Side View)

Surface mount brackets shown.

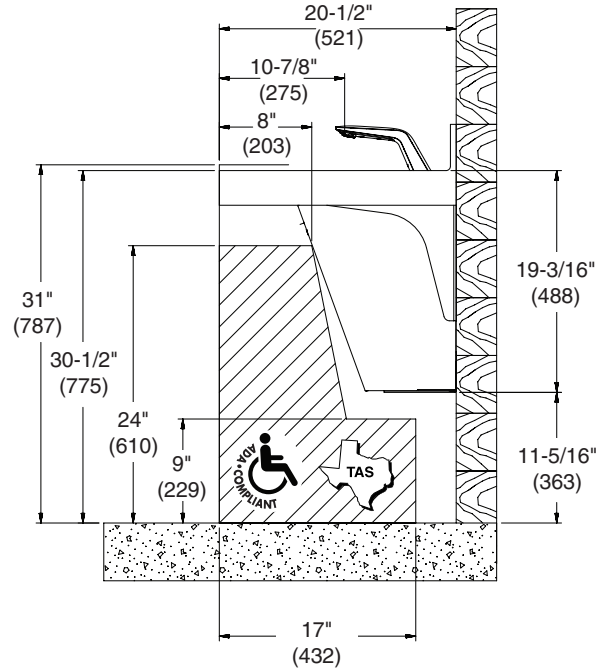
(mm)

Standard Height (ADA)



Deck depth must be 20-1/2" minimum for ADA, Enhanced Reach depth is 20-1/2"

Juvenile Height (ADA)



Deck depth must be 20-1/2" minimum for ADA, Enhanced Reach depth is 20-1/2"

Verify all rough-in dimensions prior to installation.
Consult local and national codes. Conformity and compliance to local and national codes is the responsibility of the installer.

Page 4 of 11
7/13/2017
This information is subject to change without notice.
Bradley_Sink_OmniDeck_LD-5010

© 2017 Bradley
P.O. Box 309, Menomonee Falls, WI 53052-0309
800 BRADLEY (800 272 3539) +1 262 251 6000
bradleycorp.com



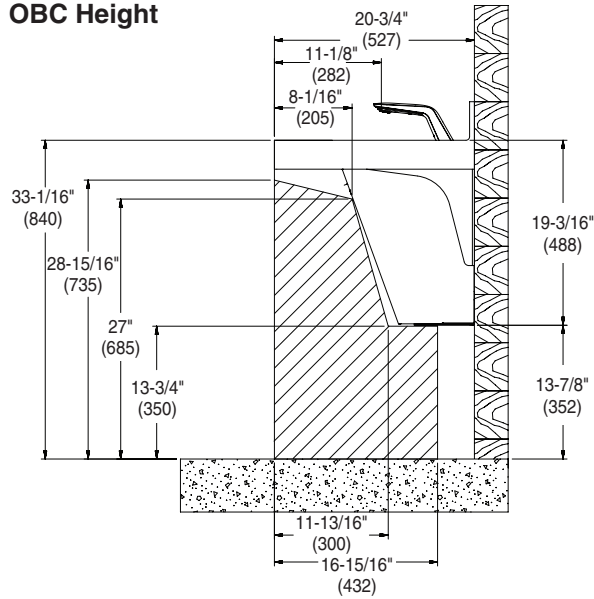
LD-5010 OmniDeck™ with WashBar®– 5000 Series

LD-5010 Dimensions (Side View)

Surface mount brackets shown.

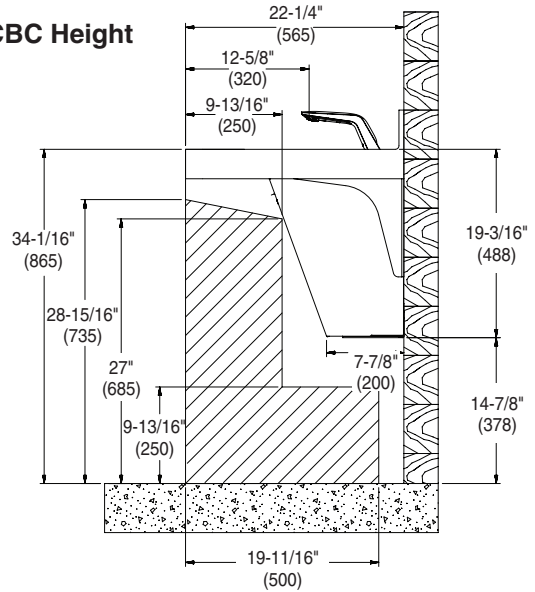
(mm)

OBC Height



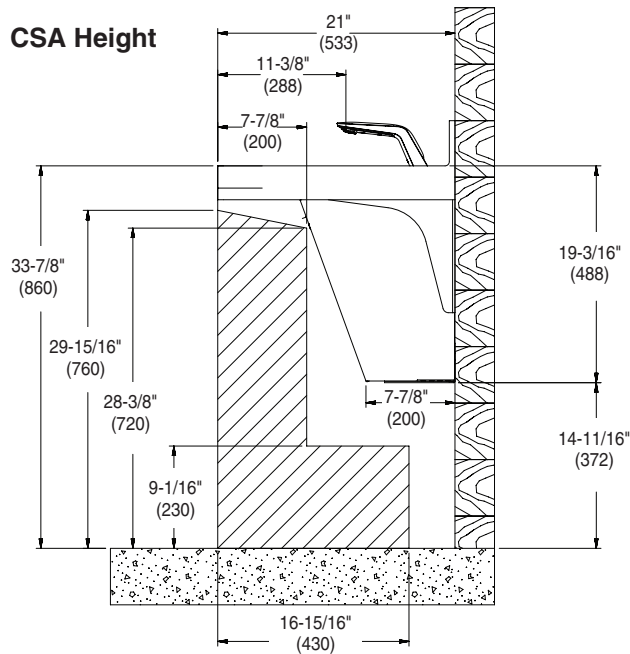
Deck depth must be 20-3/4" (527) minimum for OBC

BCBC Height



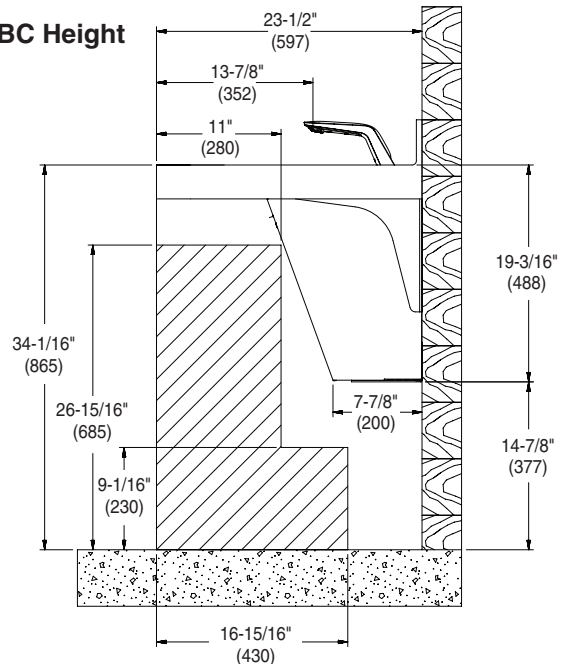
Deck depth must be 22-1/4" (565) minimum for BCBC

CSA Height



Deck depth must be 21" (533) minimum for CSA

QBC Height



Deck depth must be 23-1/2" (597) minimum for QBC

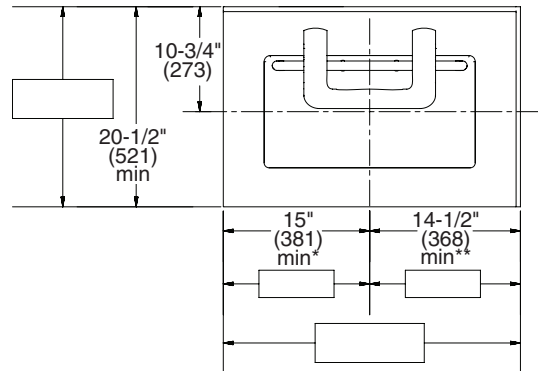
Verify all rough-in dimensions prior to installation.
Consult local and national codes. Conformity and compliance to
local and national codes is the responsibility of the installer.



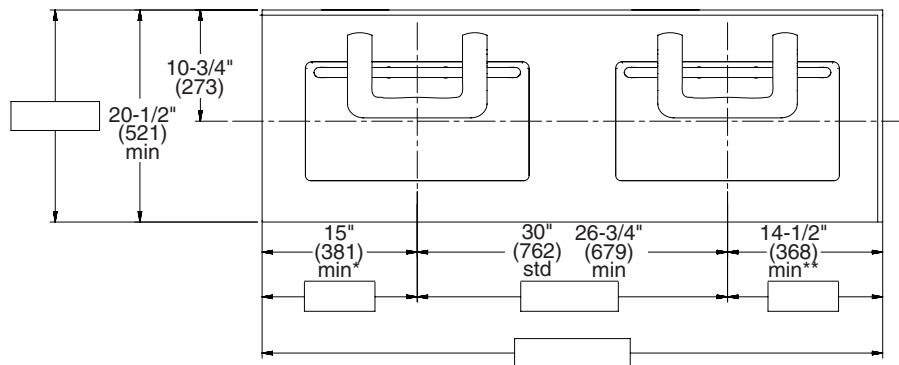
Minimum Dimensions for Custom Dimensions

(mm)

LD-5010-1 Dimensions



LD-5010-2 Dimensions



*with side apron

**with side splash or no side apron

Verify all rough-in dimensions prior to installation.
Consult local and national codes. Conformity and compliance to local and national codes is the responsibility of the installer.

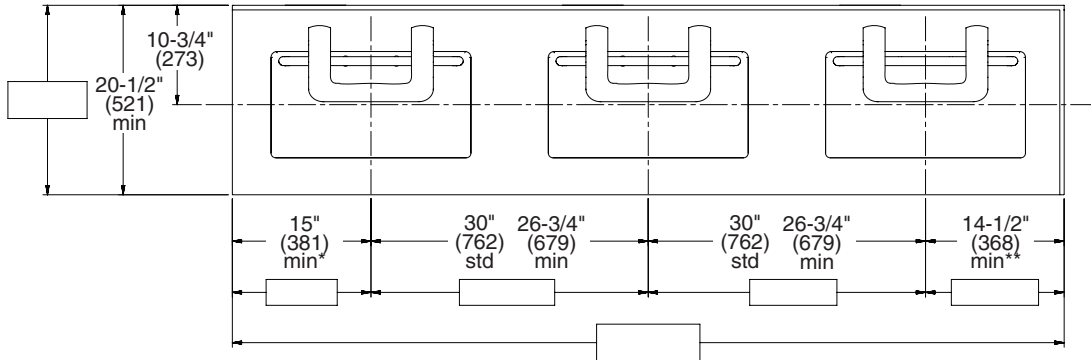


LD-5010 OmniDeck™ with WashBar®– 5000 Series

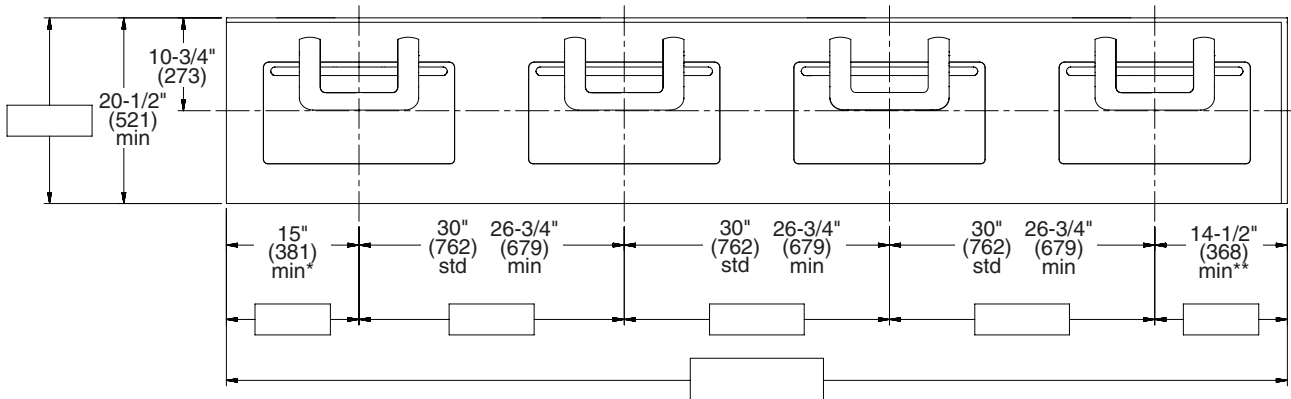
Minimum Dimensions for Custom Dimensions

(mm)

LD-5010-3 Dimensions



LD-5010-4 Dimensions



*with side apron

**with side splash or no side apron

Verify all rough-in dimensions prior to installation.
Consult local and national codes. Conformity and compliance to
local and national codes is the responsibility of the installer.



LD-5010

OmniDeck™ with WashBar® – 5000 Series

Standard Selections (Must select one from each category)

All OmniDecks are non-cancelable and non-returnable.

Submittal drawings not required for product configured to technical data options including custom length and depth selections, but available upon request.

Configuration Type (Select One)
NOTE: Changes to predetermined dimensions require custom unit.
 STD Standard **CST** Custom

Bowl Type (Select One)
 WB-TR1 Rectangular Undermount w/ Stainless Steel Drain Cap

Bowl Quantity (Select One)
 1 One Bowl **2** Two Bowls
 3 Three Bowls **4** Four Bowls

Deck Length (Select One)
 30.00 30" (Standard) **60.00** 60" (Standard)
 90.00 90" (Standard) **120.00** 120" (Standard)
 CST Custom _____ "
(Length not to exceed 120")

Deck Depth (Select One)*
 20.5" Standard
 CST Custom _____ "
(must be between 20.5" and 24" in 0.5" increments)

Bowl Placement (Left to Right)

B1 (Bowl #1) 15" **CST** Custom _____ "

B2 (Bowl #2) 30" **CST** Custom _____ "

B3 (Bowl #3) 30" **CST** Custom _____ "

B4 (Bowl #4) 30" **CST** Custom _____ "

Backsplash Type (Select One) (greater than 5" is shipped loose)
 BS Backsplash **NBS** No Backsplash

Front Apron Type (Select One)
 FA Front Apron **NFA** No Front Apron

Left Side Type
 LSS Left Side Splash† **SEAM-L** Side Seam
 LSA Left Side Apron **NONE** No Left Side Options

Right Side Type
 RSS Right Side Splash† **SEAM-R** Side Seam
 RSA Right Side Apron **NONE** No Right Side Options

Splash Height (Select One)
 3 3" Standard **CST** Custom (5" max) _____ "

Apron Height (Select One)
 3 3" Standard **CST** Custom (5" max) _____ "

NOTE: Aprons 5" are reinforced with gussets.

†Side splashes are shipped loose.

***Mounting Height Deck Depth**

ADA/JUV..... 20-1/2" (521mm) to 24" (610mm)
 CSA..... 21" (533mm) to 24" (610mm)
 OBC 20-3/4" (527mm) to 24" (610mm)
 BCBC..... 22-1/4" (565mm) to 24" (610mm)
 QBC 23-1/2" (597mm) to 24" (610mm)

Verify all rough-in dimensions prior to installation.
 Consult local and national codes. Conformity and compliance to local and national codes is the responsibility of the installer.

Page 8 of 11 7/13/2017
 This information is subject to change without notice.
 Bradley_Sink_OmniDeck_LD-5010

© 2017 Bradley
 P.O. Box 309, Menomonee Falls, WI 53052-0309
 800 BRADLEY (800 272 3539) +1 262 251 6000
 bradleycorp.com



LD-5010 OmniDeck™ with WashBar® – 5000 Series

Standard Selections (Must select one from each category)

- All OmniDecks are non-cancelable and non-returnable.
- Submittal drawings not required for product configured to technical data options but available upon request.

Activation Type (Select One)

- WB1** Chrome-Plated WashBar with Infrared

Aerator Type (Select One)

- A35** 0.35 gpm PCA Rubber Tip Aerator
- A50** 0.50 gpm PCA Rubber Tip Aerator

Soap Type (Select One)

- FSD** Foam Soap Dispenser - 1 Gallon Soap Container By Others
- LSD** Liquid Soap Dispenser - 1 Gallon Soap Container By Others

Hand Dryer (Select One)

- HD1** AC Motor 120V/60Hz, 20 Amp

Color of Terreon Deck (Select One):

Standard Colors

- | | |
|---|--|
| <input type="checkbox"/> ALP-WHT Alpine White | <input type="checkbox"/> LONDON London Gray |
| <input type="checkbox"/> AVALANCHE Avalanche† | <input type="checkbox"/> MOONSTONE Moonstone† |
| <input type="checkbox"/> BONE Mesa Bone | <input type="checkbox"/> O-TAUPE Organic Taupe |
| <input type="checkbox"/> CHAR Charcoal Gray | <input type="checkbox"/> PEBBLE Pebble Beach |
| <input type="checkbox"/> COBBLE Cobblestone | <input type="checkbox"/> PEP-WHT Peppered White |
| <input type="checkbox"/> DRIFT Driftwood† | <input type="checkbox"/> POLAR Polar Ice† |
| <input type="checkbox"/> DS-WHT Designer White | <input type="checkbox"/> SAND Sandtrap |
| <input type="checkbox"/> DUNE Sand Dune† | <input type="checkbox"/> S-CREEK Stone Creek |
| <input type="checkbox"/> E-GRAY Empire Gray | <input type="checkbox"/> S-MIST Silver Mist |
| <input type="checkbox"/> GLACIER Glacier | <input type="checkbox"/> WHT-SAND White Sand |
| <input type="checkbox"/> GRAPH Graphite | |
| <input type="checkbox"/> LANNON Lannonstone | |

Designer Colors (available at an additional charge)

- ARC-CHIP** Arctic Chip
- COFFEE** Coffee Bean
- RIVER** Riverstone

TerreonRE Colors (available at an additional charge)

- BIRCH-BARK** Birch Bark
- MOONDUST** Moondust
- DUSK** Dusk
- OAT** Oat

Water Supply Type

- TMA** Navigator® Thermostatic Mixing Assembly w/ Stops and Hot and Cold Supply Hoses
- TL** Single Tempered Line Assembly (Supply Hoses and Shut-Offs Included)

Color of Terreon Bowl

- ALP-WHT** Alpine White
- LONDON** London Gray
- BONE** Mesa Bone
- O-TAUPE** Organic Taupe
- DS-WHT** Designer White
- SAME** Same as Deck (Requires Tempered Water)

Edge Style Type

- EE** Ease Edge
- RO** 3/8" Radius Roundover

NOTE: Sidesplashes sit lower than the backsplash when RO option is selected. If wall is to be tiled after deck installation, EE option is recommended.

Mounting Type (Select One)

- BRKT** Stainless Steel Bracket(s)*
- NONE** Customer-Supplied Mounting

Access Panel Type (Select One)

- STAIN** Swing Down Stainless Steel**
- NONE** No Access Panel

Waste Assembly Type (Select One)

- S-CHROME** Single Chrome-Plated P-Trap
- S-POLY** Single Polypropylene P-Trap
- NONE** No P-trap

Seaming Kit Type (180 Day Shelf Life - Each kit will accommodate a 30" seam)

- AS-K** Seam Kit
- NONE** No Seam Kit

* Bracket quantity is dependent on deck length. 2" to 45" = 2 brackets, 45.25" to 75" = 3 brackets, 75.25" to 105" = 4 brackets and 105.25" to 120" = 5 brackets

**Recommended for easy soap maintenance

† This color contains large, randomly distributed chips.

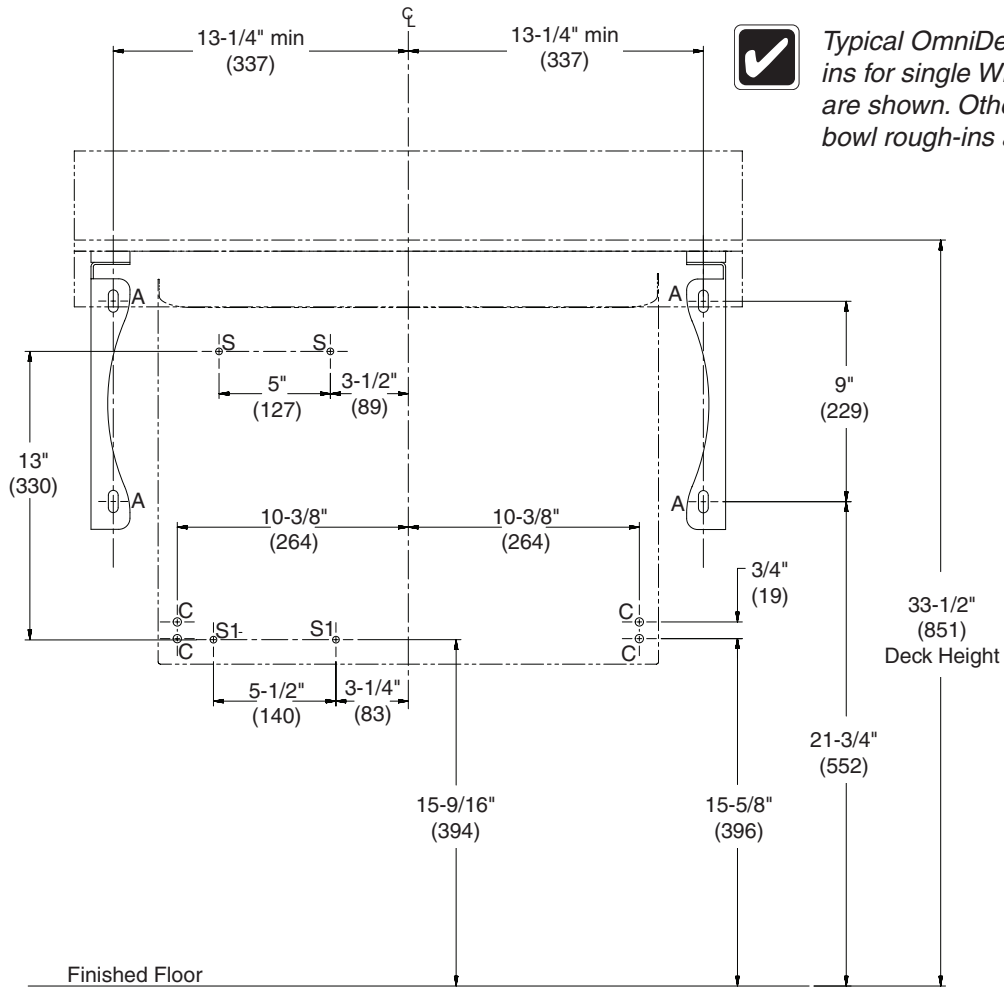
Verify all rough-in dimensions prior to installation.
Consult local and national codes. Conformity and compliance to local and national codes is the responsibility of the installer.



LD-5010 OmniDeck™ with WashBar®– 5000 Series

Structural Rough-Ins for LD-5010

(mm)



Typical OmniDeck rough-ins for single WB-TR1 bowl are shown. Other multiple-bowl rough-ins are similar.

CODE	DESCRIPTION	QTY.
A	3/8" wall anchors with a minimum pull-out force of 1,000 lbs. per local codes	2 per bracket
C	Install wall anchor with a minimum pull-out force of 100 lbs. per local codes at locations shown	4
S	#10 Wall Anchors for Soap Control Box Bracket	4
S1	#10 Wall Anchors for Soap Tank Bracket (100 lb pull out force)	4

RIM HEIGHT	VERTICAL HEIGHT ADJUSTMENTS	FIXTURE STYLE
34"	No Adjustment	Standard Height, ADA, TAS
31	Subtract 3"	Juvenile, ADA and TAS
33-1/16"	Subtract 15/16"	OBC
34-1/16"	Add 1/16"	BCBC and QBC
33-7/8"	Subtract 1/8"	CSA

Verify all rough-in dimensions prior to installation. Consult local and national codes. Conformity and compliance to local and national codes is the responsibility of the installer.



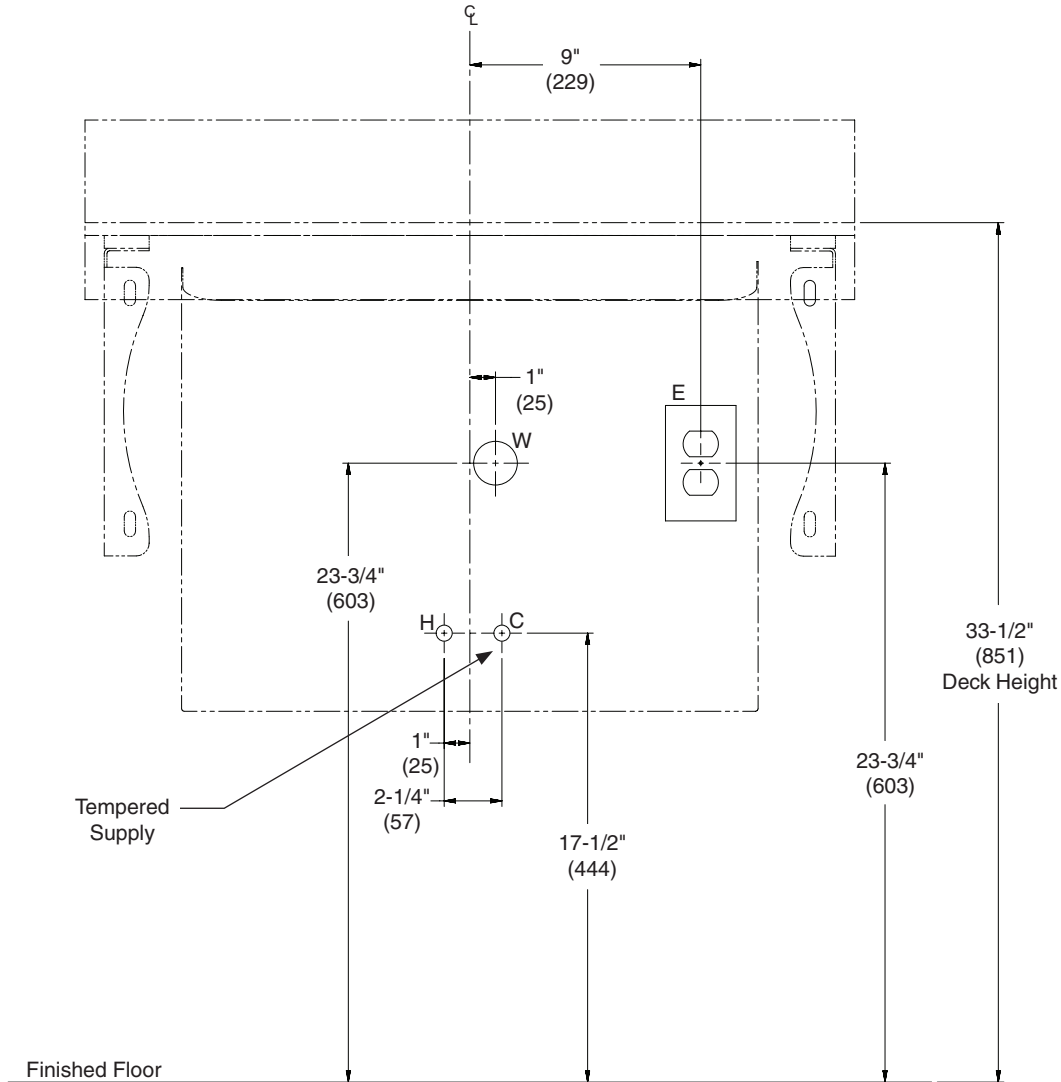
LD-5010 OmniDeck™ with WashBar®– 5000 Series

Plumbing and Electrical Rough-Ins for LD-5010

(mm)

Mounting for Standard, ADA and TAS height shown.

Typical OmniDeck rough-ins for single WB-TR1 bowl are shown. Other multiple-bowl rough-ins are similar.



CODE	DESCRIPTION	QTY.
A	1½" NPT Drain, Stub-out 2" from wall	1
H,C	½" Nominal (⅝" O.D. Comp.) Hot/Cold supplies, Stub-out 2" from wall	1
E	110V GFI protected electrical outlet (20 amp circuit)	2

Verify all rough-in dimensions prior to installation.
Consult local and national codes. Conformity and compliance to local and national codes is the responsibility of the installer.