

**□ Model 4781-15 — Surface-Mounted
Bradex®****☑ Standard Series — Satin Finish****Product Materials****COVER:** 22 gauge stainless steel with exposed surfaces in architectural satin finish. Heavy-duty stainless steel piano hinge.**CONTAINER:** 22 gauge stainless steel with exposed surfaces in architectural satin finish. All welded construction with rounded front corners. Bottom equipped with lock and heavy-duty stainless steel piano hinge.**Operation**

Bottom opens for removal of waxed paper liner. Box of 500 waxed paper liners are available by ordering part number P11-022

Installation

Verify all rough-in dimensions prior to installation. Secure to wall or partition with mounting screws (included) at holes provided.

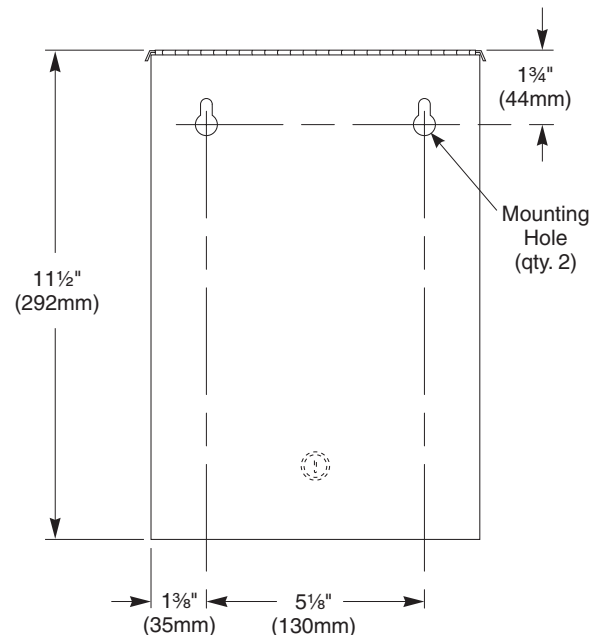
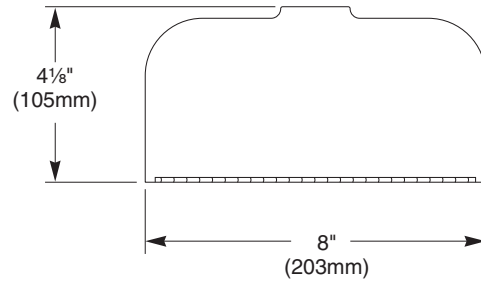
Guide Specification

Surface-mounted napkin disposal shall be fabricated of 22 gauge stainless steel with exposed surfaces in satin finish. Top attached by piano hinge. Bottom hinged for easy servicing.

Overall dimensions: 8"W x 11½"H x 4⅞"D.**ADA Compliant**

- ☑** Consult local and national accessibility codes for proper installation guidelines.
- ☑** Conformity and compliance to local and national codes is the responsibility of the installer.

Dim. "A" Key Surface:	For Dim. "A"	Top of Unit	Bottom of Unit
Waste receptacle top lip to finished floor	40" (1016mm)	40" (1016mm)	28½" (724mm)
	36" (914mm)	36" (914mm)	24½" (622mm)
	32" (813mm)	32" (813mm)	20½" (521mm)
Rough wall opening:			
Surface Mount:	No rough opening, see overall dimensions		

Orders composed of products indicated as **Bradex®** will be available to ship in three days after receipt of order at the factory. There is no pricing penalty for this service from Bradley.