



Prefabricated Modular Barrier-Free Panelon Shower System



*Signed approvals are required prior to fabrication.
All Panelon Showers are non-cancelable, non-returnable.*

Specifications

Materials

Shower panel is type 304 stainless steel. All other exposed parts, except for hand-held sprayhead, are stainless steel or chrome-plated brass. Valve bodies are brass casting.

Standard Equipment

Shower Panel

Shower panel constructed of 16 gauge stainless steel.

Diverter Valve

Lever handle operation for easy transfer of water flow between fixed and hand-held shower spray.

Hand-Held Hose Spray

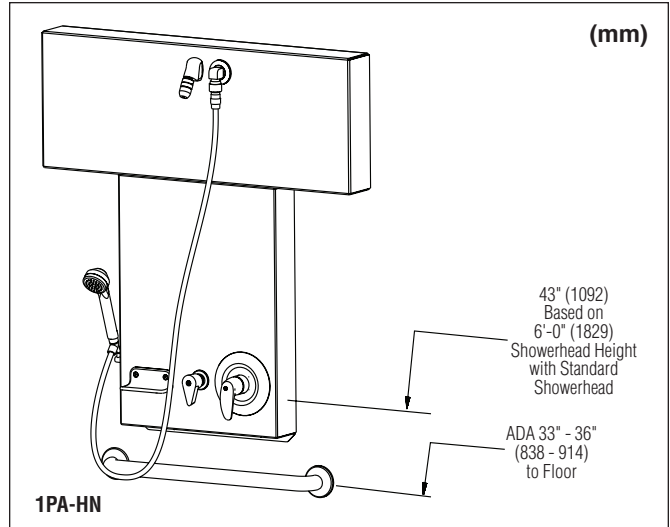
Consisting of hand shower with on-off control, 60" stainless steel flexible hose and post-style mounting bracket to hold to shower panel. Elevated in-line backflow preventer with quick-disconnect for flexible hose.

Flow Control

A 1.5 gpm (5.7 L-Min) flow control is standard. Actual flow may vary, but will not exceed 2.0 gpm (7.6 L-Min) max.

ADA Requirements

This shower complies with most, but not all, ADA dimensional requirements. Check local codes prior to installation.





Prefabricated Modular Barrier-Free Panelon Shower System

Model (Must select)	
Model Number	Description
<input type="checkbox"/> 1PA-HN	Prefabricated Modular, Barrier-Free Panelon Shower System
Standard Selections (Must select one from each category)	
Showerhead Quantity (enter number)	
_____ Showerheads	
Showerhead Height (select one)	
<input type="checkbox"/> 6'-0" Standard Height <input type="checkbox"/> 5'-6" Juvenile Height	
Showerhead Type (select one)	
<input type="checkbox"/> S15 Standard Showerhead (Flow Rate = 1.5 gpm/5.7 L-Min) <input type="checkbox"/> SX15 Severe Service Showerhead (Flow Rate = 1.5 gpm/5.7 L-Min) <input type="checkbox"/> S20 Standard Showerhead (Flow Rate = 2.0 gpm/7.6 L-Min) <input type="checkbox"/> SX20 Severe Service Showerhead (Flow Rate = 2.0 gpm/7.6 L-Min) <input type="checkbox"/> SF Deluxe Showerhead w/ Ball Joint (Flow Rate = 1.5 gpm/5.7 L-Min) <input type="checkbox"/> ES Economy Soft Flow w/ Ball Joint (Flow Rate = 2.0 gpm/7.6 L-Min) <input type="checkbox"/> J Multi-Jet Showerhead w/ Ball Joint (Flow Rate = 1.5 gpm/5.7 L-Min) <input type="checkbox"/> LX Luxury Showerhead w/ Ball Joint (Flow Rate = 1.5 gpm/5.7 L-Min) <input type="checkbox"/> B Axis Showerhead w/ Ball Joint (Flow Rate = 1.5 gpm/5.7 L-Min)	
Valve Type (select one)	
<i>Hot/Tempored and Cold Supplies</i>	
<input type="checkbox"/> EF Equa-Flo Pressure Balancing Valve <input type="checkbox"/> HD Equa-Flo HD Pressure Balancing Valve <input type="checkbox"/> TMV Thermostatic Mixing Valve	
<i>Single Tempored/Cold Supply</i>	
<input type="checkbox"/> AST Air Pushbutton <input type="checkbox"/> SVL Single Compression Valve w/ Lever <input type="checkbox"/> TTPA TouchTime® Pushbutton** <input type="checkbox"/> TTPB TouchTime® Piezo Switch**	
Volume Control Type† (select one)	
<input type="checkbox"/> AKV Allen Key Volume Control <input type="checkbox"/> LHV Lever Handle Volume Control <input type="checkbox"/> NONE No Volume Control	

Ball Joint Type† (select one)	
<input type="checkbox"/> LBJ Lockable Ball Joint <input type="checkbox"/> NONE No Ball Joint	
Supply Stop Type (select one)	
<input type="checkbox"/> ST Stops In Each Supply <input type="checkbox"/> NONE No Supply Stops	
Soap Dish Type (select one)	
<input type="checkbox"/> SD Surface-Mount Soap Dish <input type="checkbox"/> RSD Recessed Soap Dish <input type="checkbox"/> NONE No Soap Dish	
Shroud Type (select one)	
<input type="checkbox"/> SHV Vertical Shroud (floor to ceiling height _____ ft. _____ in.* <input type="checkbox"/> SHH Horizontal Shroud (per 3 ft. section)* <input type="checkbox"/> NONE No Shrouds	
Shower Seat Type (select one)	
<input type="checkbox"/> RSS Reversible Phenolic Shower Seat <input type="checkbox"/> NONE No Shower Seat	
Grab Bar Type (select one)	
<input type="checkbox"/> GB1 Grab Bar – 24" Straight <input type="checkbox"/> GB2 Grab Bar – 2-Wall <input type="checkbox"/> NONE No Grab Bar	
Hardware Type (select one)	
<input type="checkbox"/> SC Standard Screws <input type="checkbox"/> VS Vandal-Resistant Screws	

* Non-cancelable, non-returnable.

** TTPA and TTPB valves require a low-voltage UL/CSA listed 120V AC, 12V DC plug-in adapter.

† Only available on S15 and S20 showerheads.

Verify all rough-in dimensions prior to installation.

Consult local and national codes: conformity and compliance to local and national codes is the responsibility of the installer.

2.0 gpm and 2.5 gpm showerhead flow rate does not meet California Energy Commission 20 CCR 1.20, Div. 2, 1601-1609.