

- Model 170 — Recessed**
- Model 170-10 — Semi-Recessed (recesses 2"; projects 2")**
- Model 170-11 — Surface-Mounted (projects 4")**

## Product Materials

**FLANGE:** 22 gauge stainless steel with exposed surfaces in architectural satin finish. One-piece seamless construction, 1" wide with 1/4" return.

**CABINET:** 26 gauge stainless steel.

**DOOR:** 22 gauge stainless steel with heavy-duty full-length piano hinge and tumbler lock.

**MIRROR:** first quality 1/4" float glass triple-silvered, electro-copper plated with baked enamel backing, guaranteed for 15 years against silver spoilage. Protected by shock-absorbing filler.

**INTERIOR SHELVES:** 22 gauge stainless steel. Three shelves — two adjustable, one fixed. Each shelf area is 60 sq. in.

**EXTERIOR SHELF:** 22 gauge stainless steel with an area of 60 sq. in.

**LOCK:** on door keyed like other Bradley units.

## Operation

Mirrored door conceals interior shelves.

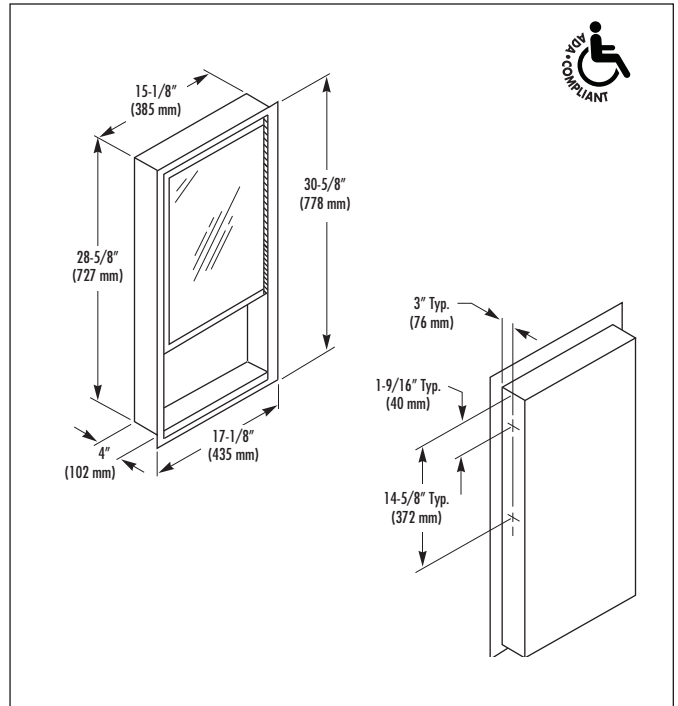
## Installation

Verify all rough-in dimensions prior to installation. Recessed unit requires rough wall opening 15-5/8"W x 29-1/8"H x 4"D. Secure to framing with mounting screws (included) at holes provided. Shim at screw points as required.

## Guide Specification

Recessed multi-purpose unit consisting of mirror and storage cabinet with three shelves shall be fabricated of stainless steel with exposed surfaces in satin finish. Mirrored door with full-length piano hinge and tumbler lock. Interior of storage cabinet to have three shelves — two adjustable and one fixed.

**Overall dimensions: 17-1/8"W x 30-5/8"H x 4"D.**



## Optional Features

Feature	Suffix
<input type="checkbox"/> #8 Stainless steel mirror in lieu of glass	-23
<input type="checkbox"/> Adjustable tilt mirror	-25

## ADA Compliant

- Consult local and national accessibility codes for proper installation guidelines.
- Conformity and compliance to local and national codes is the responsibility of the installer.

Washroom Accessories  
Document No. 8020