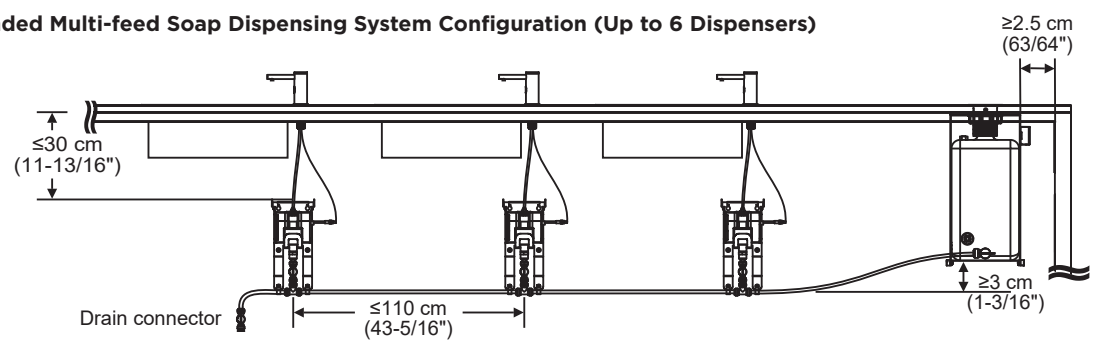


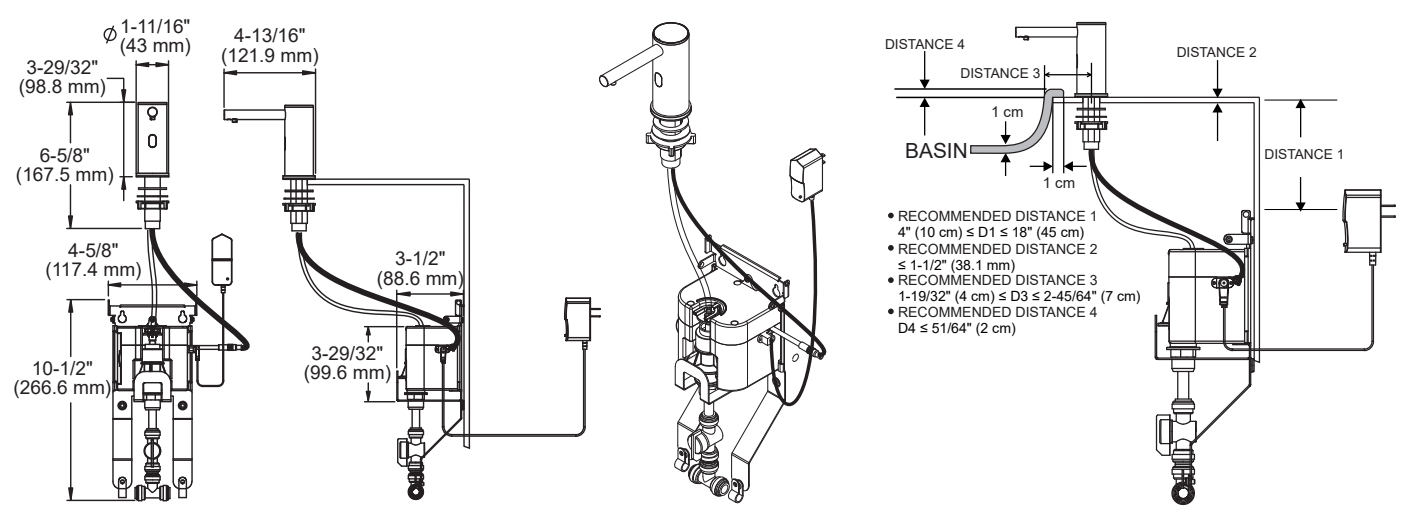
# AUTOMATIC, MULTI-FEED SOAP DISPENSING SYSTEM

**B-820**  
(Multi-Feed Soap Reservoir)  
**B-820-258**  
(Liquid Soap Dispenser)  
**B-820-248**  
(Foam Soap Dispenser)

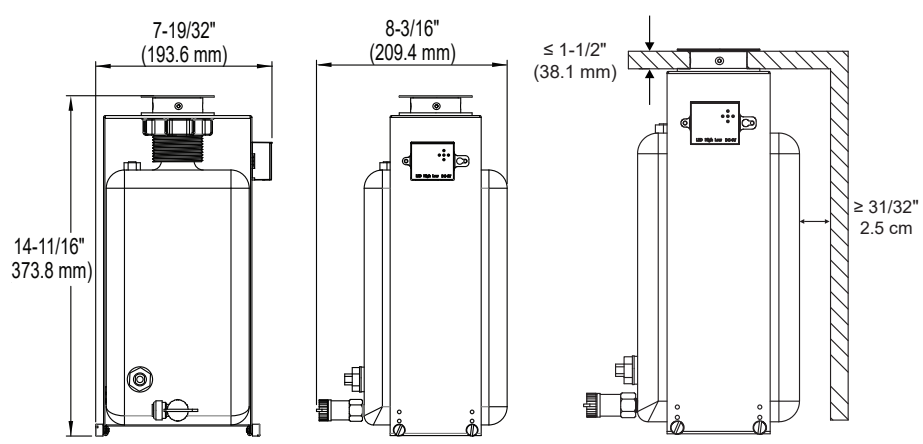
**Recommended Multi-feed Soap Dispensing System Configuration (Up to 6 Dispensers)**



**B-820-258 (Liquid Soap Dispenser) / B-820-248 (Foam Soap Dispenser)**



**B-820 (Multi-Feed Soap Reservoir)**



continued . . .

## MATERIALS:

**Multi-Feed Soap Reservoir** — Polypropylene tank with a capacity of 1.6 gal (6.0 L). Includes a counter-mounted top-fill port with LED indicator and cap installed directly above the soap reservoir tank and an electronic control box on the side.

**Soap Dispenser** — Above the counter, bright polished 304 stainless steel spout with integral stem. Below the counter, the sensor wire connects to the wall-mounted electronic control box and the soap tube connects to the soap pump. Additional soap tube connects the soap dispensers in-line to the reservoir and dispenser pumps soap through tubing out the spout to dispense.

**6V AC Adapter** — Powered by 6V AC Adapter that is included with each multi-feed soap reservoir and soap dispenser. Optional Battery Pack available, order Part No. 824-241. Battery Pack uses 4 "D" cell batteries (not included). For outlets not compatible with U.S. plugs, order Part No. 3974-58.

## OPERATION:

B-820 large-capacity, multi-feed, top-fill, soap reservoir feeds bulk liquid or foam soap to up to six B-820-258 Automatic Liquid Soap Dispensers or B-820-248 Automatic Foam Soap Dispensers. Soap Dispensers specified and furnished separately from the B-820 Multi-Feed Soap Reservoir. Multi-Feed Soap Reservoir can be mounted to the left or right side of the rear wall, under the countertop. Soap reservoir can be filled with bulk liquid or foam soap that is compatible with the matching liquid or foam soap dispenser.

To fill the soap reservoir from above the counter, use the provided suction cup to lift up the fill port cap and pour the soap using the provided funnel. When the soap level is low (below 25-30%), the LED indicator light will blink green at the top fill port. To prevent overfilling, when the soap reservoir tank is full, the LED indicator light will stop blinking green and a warning alarm will sound for about 15 seconds to signal to stop filling.

To activate the dispenser, place hand below spout in front of the IR sensor. Green LED will light up briefly when dispensing. Spout dispenses 1 to 1.2 ml for liquid soap dispenser and 0.6 to 0.8 ml for foam soap dispenser.

In addition to the B-820 Multi-Feed Soap Reservoir, order the B-820-258 Liquid Soap Dispensers for liquid soap and the B-820-248 Foam Soap Dispensers for foam soap. Dispenses liquid soaps with a viscosity of 1 cP to 3,000 cP (centipoise). Dispenses foam soaps with a viscosity of 1 cP to 50 cP (centipoise).

## INSTALLATION:

The top fill soap reservoir is designed for installation into counters up to 1-1/2" (38.1 mm) maximum thickness with 2-3/8" (60.3 mm) diameter mounting hole for the fill port. The horizontal clearance required between the soap reservoir and side wall is 1" (25 mm). Recommended install location for the fill port is at least 5-29/32" (150 mm) from the center of the mounting hole to the side and back wall.

1. Slide the refilling shaft through the hole at the counter. Below the counter, thread mounting bracket onto shaft and secure with nut.
2. Slide the soap reservoir tank into the mounting bracket, ensuring that the refilling shaft and reservoir tank are aligned.
3. Lastly, slide the bottom bracket below the tank, then secure from the sides with four thumb screws.
4. Connect the wires into the soap reservoir control box on the side of the mounting bracket.
5. Plug AC Adapter into wall and end plug into power port on the soap reservoir control box.

The compatible Liquid or Foam Soap Dispenser is designed for installation into counters up to 1-1/2" (38.1 mm) maximum thickness with 1" (25 mm) diameter mounting hole, and compatible with sink rims up to 25/64" (10 mm) wide and 51/64" (20 mm) tall. Recommended spout location is minimum of 1-19/32" (40 mm) and maximum of 2-45/64" (70 mm) from inside edge of the sink rim to the center of the mounting hole, and minimum clearance of 1-3/16" (30 mm) from the edge of the sink and rear wall to the center of the mounting hole.

1. Below the counter, install the pump assembly at the rear wall with the included screws and wall anchors, keeping a minimum of 4" (100mm) and maximum of 18" (450mm) vertical clearance from the bottom of the countertop to the mounting screw location. Provide backing in wall as specified in accordance with local building codes.
2. Plug AC Adapter into wall and end plug into power port on the dispenser pump assembly.
3. Connect the soap tubes from the pump assembly of each compatible B-820-258 Liquid Soap Dispenser or B-820-248 Foam Soap Dispenser to the B-820 Multi-Feed Soap Reservoir per Installation Instructions.

## SPECIFICATION:

B-820 large-capacity, multi-feed, top-fill, soap reservoir feeds bulk soap up to six B-820-258 Liquid Soap Dispensers or B-820-248 Foam Soap Dispensers. Soap Dispensers and Multi-Feed Soap Reservoir specified and furnished separately. The top-fill Multi-Feed Soap Reservoir can be mounted to the left or right side of the rear wall, under the countertop. Green LED indicator light flashes at the top fill port when the soap level is below 25% to 30%. To prevent overfilling, when the soap reservoir tank is full, the LED indicator light will stop blinking green and a warning alarm will sound for about 15 seconds to signal to stop filling. Automatic Multi-Feed Soap Dispensing System eliminates frequent refilling of single dispensers, reducing maintenance time and cost.

Compatible Counter-Mounted, Automatic Liquid and Foam Soap Dispensers dispense commercially marketed all-purpose bulk hand soaps. Spout assembly shall be 304 stainless steel with integral stem. Spout shall have LED indicator light to show when unit has been activated. Powered by 6V AC Adapter that is included with each multi-feed soap reservoir and soap dispenser. Optional Battery Pack available, order Part No. 824-241. Battery Pack uses 4 "D" cell batteries (not included). For outlets not compatible with U.S. plugs, order Part No. 3974-58.

**Automatic Multi-Feed Soap Dispensing System shall be Multi-Feed Soap Reservoir Model B-820, Liquid Soap Dispenser Model B-820-258, and Foam Soap Dispenser Model B-820-248 of Bobrick Washroom Equipment, Inc., Clifton Park, New York; Jackson, Tennessee; Los Angeles, California; Bobrick Washroom Equipment Company, Scarborough, Ontario; Bobrick Washroom Equipment Pty. Ltd., Australia; and Bobrick Washroom Equipment Limited, United Kingdom.**