



# Technical Data

# ClassicSeries® RECESSED TOILET TISSUE, SEAT- COVER DISPENSER AND WASTE DISPOSAL - LEFT SIDE OF TOILET WHILE SEATED

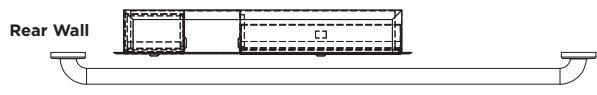
# B-3091

### Specify Finish Required

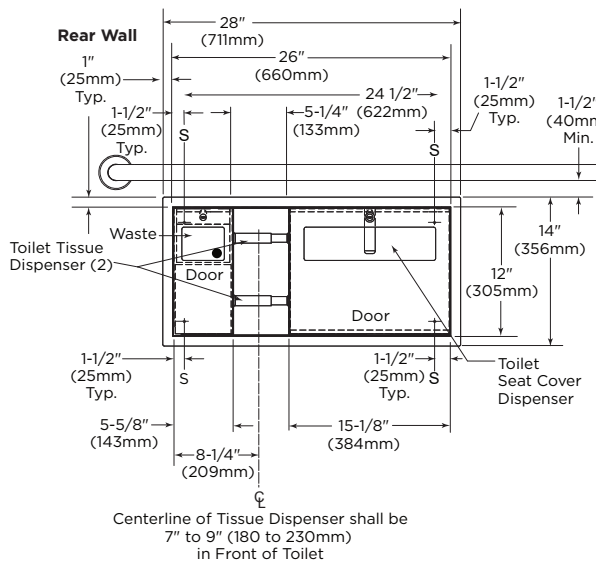
- Stainless Steel, Satin Finish
- Matte Black Finish, please use model no. B-3091.MBLK



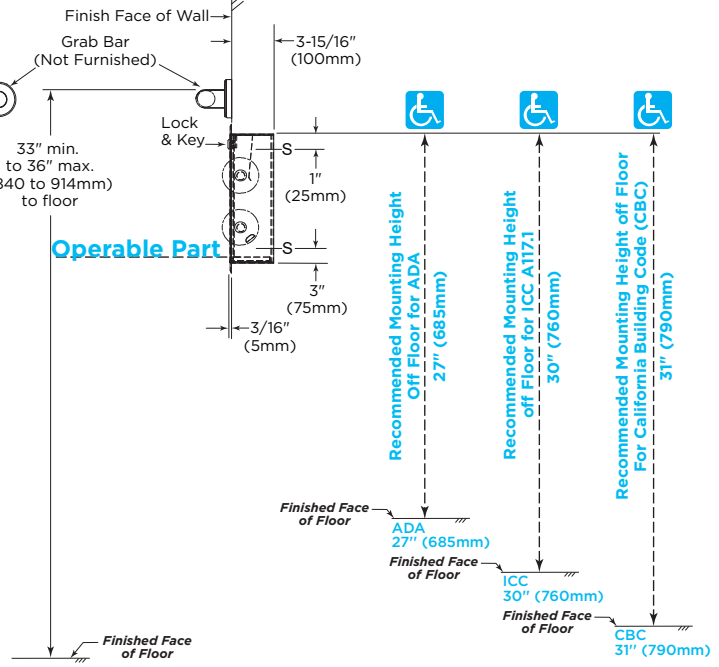
### Top View



### Front View



### Side View



**Rough Wall Opening**  
 26-5/8" (675mm) wide  
 12-5/8" (320mm) high  
 4" (102mm) minimum  
 recessed depth

**ADA/ICC/CBC Installation Guidance**  
 \*Operable Part: Bottom of outlet of toilet tissue dispenser  
**Minimum mounting height of Operable Part:**  
 ADA: 15" (380mm) above finished floor (AFF)  
 ICC: 18" (457mm) above finished floor (AFF)  
 CBC: 19" (482mm) above finished floor (AFF)  
 \*For more information regarding operable parts, please refer to Bobrick Planning Guide for Accessible Restrooms, page 9.

continued . . .

## MATERIALS:

**Cabinet** — 18-8, Type-304, heavy-gauge stainless steel. All-welded construction. Exposed surfaces have satin finish or matte black, as specified.

**Flange** — 18-8, Type-304, 22-gauge (0.8mm) stainless steel with satin finish or matte black, as specified. Drawn and beveled, one-piece, seamless construction.

**Doors (2)** — 18-8, Type-304, 18-gauge (1.2mm) stainless steel with satin finish or matte black, as specified. One-piece, seamless construction. Secured to cabinet with a full-length stainless steel piano-hinge. Equipped with a tumbler lock keyed like other Bobrick washroom accessories.

**Toilet Tissue Dispensers (2)** — 18-8, Type-304, 22-gauge (0.8mm) stainless steel with satin finish or matte black, as specified. Equipped with two chrome-plated plastic spindles, each with a heavy-duty internal spring.

**Disposal Panel** — 18-8, Type-304, 22-gauge (0.8mm) stainless steel with hemmed edges; exposed surface has satin finish or matte black, as specified. Panel equipped with graphic symbol for waste "drop here". Secured to door with a spring-loaded, full-length stainless steel piano-hinge.

**Waste Receptacle** — 18-8, Type-304, heavy-gauge stainless steel. All-welded construction. Removable for servicing. Capacity: 0.4-gal. (1.5-L).

## OPERATION:

Doors unlock with key provided and swing open for servicing. Toilet seat-cover dispenser holds 500 single- or half-fold paper covers. Receptacle is removable for servicing. Unit holds two standard-core toilet tissue rolls up to 5-1/4" (135mm) diameter (1800 sheets).

*Designer's Note:* It is recommended that one full toilet tissue roll remain wrapped until the other roll has been depleted to avoid wasting ends of both rolls.

## INSTALLATION:

Provide framed rough wall opening 26-5/8" (675mm) wide, 12-5/8 (320mm) high. Minimum recessed depth required from finish face of wall is 4" (102mm). Allow clearance for construction features that may protrude into rough wall opening from opposite wall. Coordinate with mechanical engineer to avoid pipes, vents, and conduits in wall. If unit projects above top of wainscot, provide aluminum channel or other filler to eliminate gap between flange and finish face of wall. Mount unit in wall opening with shims between framing and cabinet at all points indicated by an S, then secure unit with #8 x 1-1/4" (4.2 x 30mm) sheet-metal screws (not furnished).

### *Designer's Notes:*

1. Surface-mounted B-3091 mounts on left side of toilet (when seated on toilet).
2. For unit to mount on the right side of toilet (when seated on toilet) see model B-3092.
3. For visual placement of models inside toilet compartment, refer to Technical Bulletin TB-92.

## SPECIFICATION:

Recessed toilet seat-cover dispenser, waste disposal, and toilet tissue dispenser shall be Type-304 stainless steel with all-welded construction; exposed surfaces shall have satin finish or matte black, as specified. Toilet tissue dispensers shall be ABS plastic. Flange shall be drawn and beveled, one-piece, seamless construction. Doors shall be one-piece, seamless construction; secured to cabinet with a full-length stainless steel piano-hinge; and equipped with a tumbler lock keyed like other Bobrick washroom accessories. Toilet seat-cover dispenser holds 500 paper covers. Self-closing disposal panel shall be secured to door with a spring-loaded, full-length stainless steel piano-hinge and hemmed edges. Disposal panel equipped with graphic symbol, "drop here". Disposal shall be furnished with a removable receptacle, 18-8, Type-304, heavy-gauge stainless steel. All-welded construction with a capacity of 0.4-gal. (1.5-L). Unit shall be equipped with two chrome-plated plastic spindles, each with a heavy-duty internal spring, that hold standard-core rolls up to 5-1/4" (135mm) diameter (1800 sheets).

**Recessed Toilet Tissue, Seat-Cover Dispenser and Waste Disposal - Left Side of Toilet While Seated shall be Model B-3091 of Bobrick Washroom Equipment, Inc., Clifton Park, New York; Jackson, Tennessee; Los Angeles, California; Bobrick Washroom Equipment Company, Scarborough, Ontario; Bobrick Washroom Equipment Pty. Ltd., Australia; and Bobrick Washroom Equipment Limited, United Kingdom.**