

# INSTRUCTIONS FOR INSTALLATION

## BOBRICK MODEL B-104 PILL SHAPED BACKLIT LED MIRROR, MATTE BLACK

### PARTS/TOOLS NEEDED:

			
Backlit Mirror	Mounting Hardware	Electric Drill	Romex Connector

### IMPORTANT SAFETY INSTRUCTIONS - SAVE THESE INSTRUCTIONS

Read all instructions before using this mirror.

**MIRRORS SHOULD ONLY BE INSTALLED USING THE FOLLOWING INSTRUCTIONS. FAILURE TO FOLLOW THESE INSTRUCTIONS WILL VOID THE WARRANTY.**

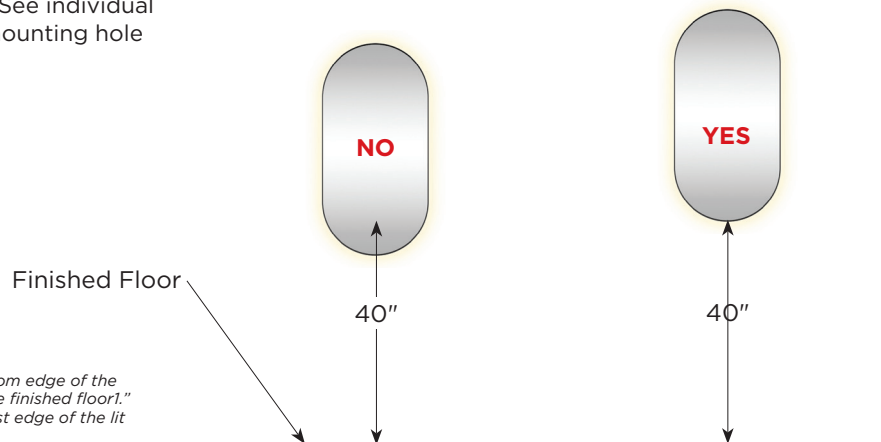
**WARNING** - To reduce the risk of burns, fire, electric shock, or injury to persons:

- Turn off power before putting on or taking off parts.
- Close supervision is necessary when this mirror is used by, or near children, invalids, or disabled persons.
- Use this mirror only for its intended use as described in these instructions. Do not use attachments not recommended by Bobrick.
- This product shall be installed by a licensed electrician in accordance with local codes and regulations.
- Never operate this mirror if it has damaged wires, if it is not working properly, if it has been dropped or damaged, or dropped into water. Contact Bobrick for a replacement mirror.
- Never drop or insert any object into any opening.
- Do not use outdoors.
- Exposing the mirror edges to liquids may cause a permanent discoloration to the mirror etching that is NOT covered by Bobrick warranty.
- Electrical Specs: 100-277V | 50/60HZ | 100W Max | 2A Max

### CLEANING INSTRUCTIONS

- Clean mirrors with warm water and a soft, lint free cloth, do not allow liquids to seep under the edges. Don't use abrasive, acid or alkali cleaners or products with ammonia or vinegar.
- Apply mild cleaners directly to a cloth, do not spray directly on the mirror. Applying liquids directly to the mirror's surface may allow the liquid to seep/wick between the layers on the edge of the mirror. If this occurs there may be a permanent discoloration on the mirror etching which is NOT covered by Bobrick warranty.
- Dry mirror immediately following cleaning and make sure all joints and edges are dry.

1. Mark the location of the mounting holes. See individual product specifications on page two for mounting hole locations.

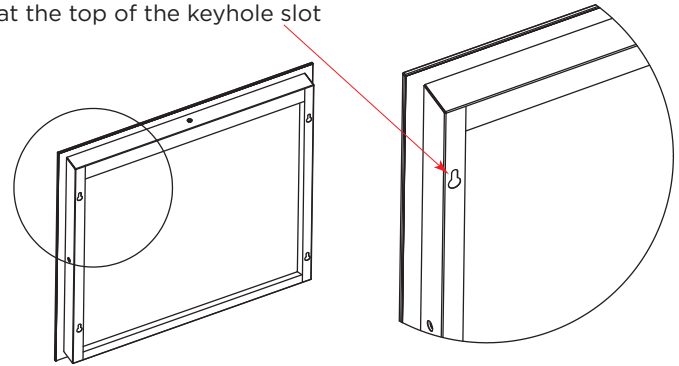


*ADA requires that "Mirrors shall be mounted with the bottom edge of the reflecting surface no higher than 40 in (1015mm) above the finished floor1." For lit mirrors this means the dimension is to the inner most edge of the lit portion (not required by UL).*

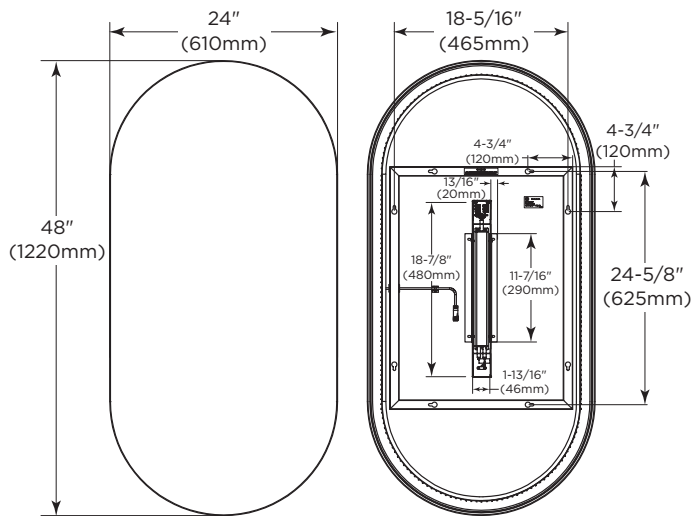
continued . . .

2. Install included #14 round slotted wood mounting screws into pre-marked holes. Note, all mirrors must be installed in contractor supplied blocking. Slide the mirror assembly onto the screws.

Ensure screw sits all the way at the top of the keyhole slot



### 3. Dimensional drawings

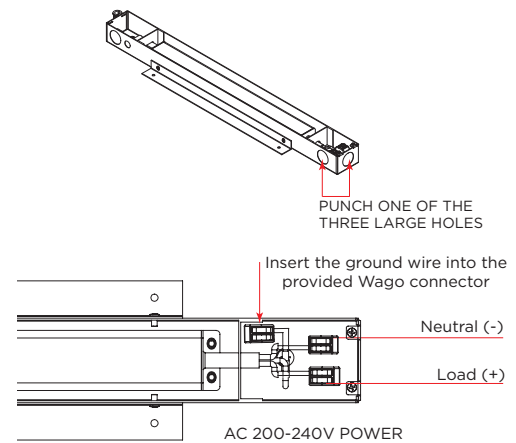


### 4. WIRING & GROUNDING INSTRUCTIONS

Punch out one of the three holes on the power supply box and bring in incoming AC power wires to the box. Utilize the provided Romex connectors and **make all connections inside the power supply box** following the wiring diagram below. Please note, the lighting will be pre-wired to the mirror.

#### GROUNDING INSTRUCTIONS

This product must be connected to a grounded metal, permanent wiring system, or an equipment grounding conductor must be run with the circuit conductors and connected to the equipment grounding terminal or lead on the product.



### TROUBLESHOOTING

#### The mirror doesn't light:

- A. Check the connection between the mirror and buildings wiring.
- B. Verify that there is power coming out of the power supply.
- C. Verify that there is 120V power coming out of the buildings junction box.
- D. Verify that the tape light has not been unplugged from the power supply.



BUILDING VALUE SINCE 1906

© 2024 by Bobrick Washroom Equipment, Inc.  
Form No. 104\_ii Issued 11/6/24

#### In the United States: BOBRICK WASHROOM EQUIPMENT, INC.

200 Commerce Drive, Clifton Park, NY 12065-1350 • Telephone: (518) 877-7444 • FAX: 518-877-5029  
6901 Tujunga Ave., North Hollywood, CA 91605-5882 • Telephone: (818) 982-9600 • FAX: 818-503-1102  
or email customerservice@bobrick.com

#### In Canada: BOBRICK WASHROOM EQUIPMENT COMPANY

45 Rolark Drive, Scarborough, Ontario M1R 3B1  
Eastern Canada: 877.423.6555, Fax: 423.765.8555 • Western Canada: 877.423.6444, Fax: 423.503.8444